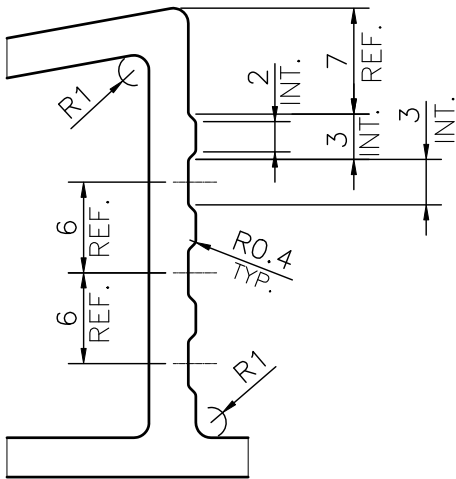
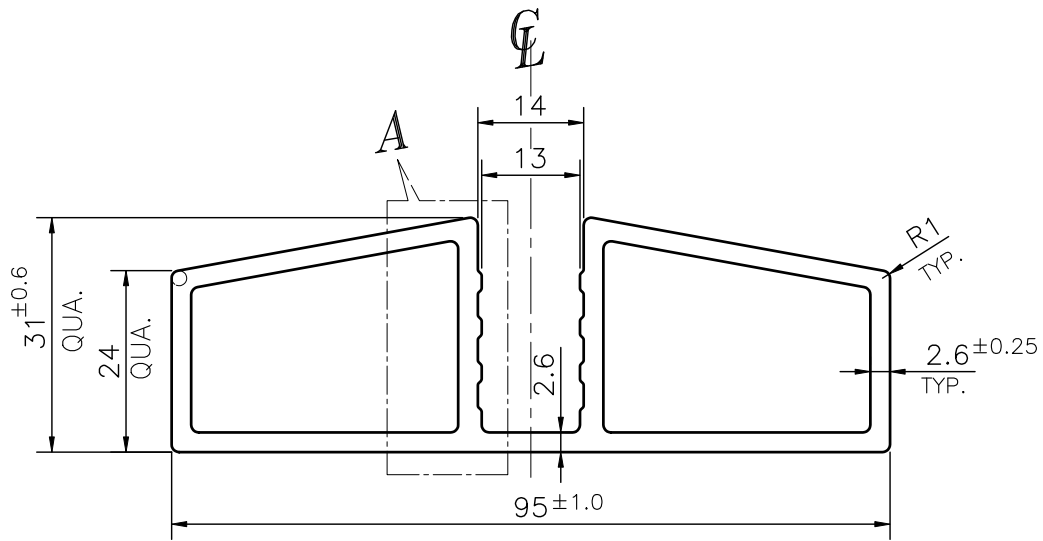


P-JAL-B-885

E103358



DETAIL A
SCALE 2:1

ROUND OFF ALL SHARP CORNERS WITH 1.0 mm.

1. STRAIGHTNESS= 1.7mm/M
2. TWIST= 1.7mm/M
3. ANGULARITY= ±2°
4. FLATNESS= 0.007xWIDTH

Q02804

CONTROLLED COPY



SYMBOL OF QUALITY
AN ISO 9001 COMPANY

JINDAL ALUMINIUM LTD.
BHIWADI-301019 (INDIA)

	NAME	DATE
DRAWN	ASHUTOSH	26-12-2024
CHECKED	PARVESH	06-01-2025
APPROVED	J.N.RAI	06-01-2025
SCALE		1:1
AREA mm ²		704.208
PERIMETER mm.		294.046
WEIGHT kg/m		1.901
DRAWING No.		SECTION No.
P-JAL-B-885		7000003582
E103358		E103358

1. ALL DIMENSIONS ARE IN mm.
2. ROUND OFF ALL SHARP CORNERS WITH 1.00 mm.
3. TOLERANCES WILL BE AS PER BS:EN-755-9 , UNLESS OTHERWISE SPECIFIED

PARTY'S NAME	GREENVENT ACOUSTIC PVT LTD., NOIDA	
PARTY'S DRAWING No.	AS PER DRAWING-GA/AL/PF/01	
ALLOY & TEMPER	6082 T6	PRODUCT CODE:-046
		HSN CODE:- 76042100
DESCRIPTION	PARTITION SECTION-BARRIER	