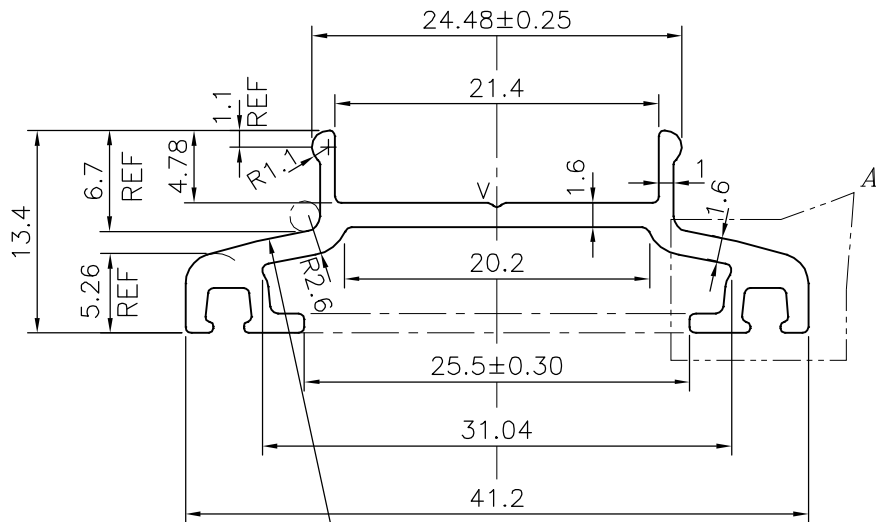
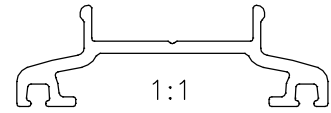
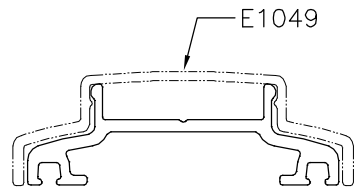
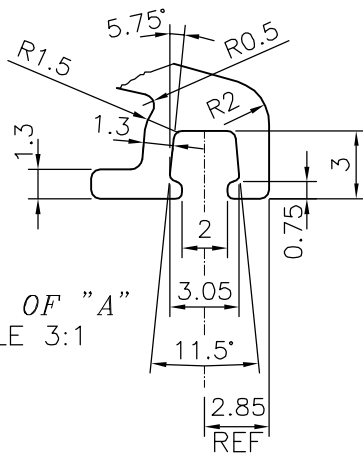


P-19287

E1048



RA8.1



DETAIL OF "A"
SCALE 3:1

V = V GROOVE 0.3x90° (1 PLACE)



SYMBOL OF QUALITY
AN ISO 9001 COMPANY

JINDAL ALUMINIUM LTD.
BANGALORE-560073 (INDIA)

	NAME	DATE
DRAWN	J.P.KAUSHIK	18-03-2019
CHECKED		
APPROVED	B.NATARAJA	02-04-2019
SCALE		2:1
AREA mm ²		113.427
PERIMETER mm.		146.136
WEIGHT kg/m		0.306
DRAWING No.	SECTION No.	
P-19287	-	
E1048	E1048	

1. ALL DIMENSIONS ARE IN mm.
2. ROUND OFF ALL SHARP CORNERS WITH 0.40 mm.
3. TOLERANCES WILL BE AS PER BS:EN-755-9 UNLESS OTHERWISE SPECIFIED

PARTY'S NAME	CLEAR AMBER GROUP,UK
PARTY'S DRAWING No.	206668
ALLOY & TEMPER	6063 T6
DESCRIPTION	MISC. SECTION