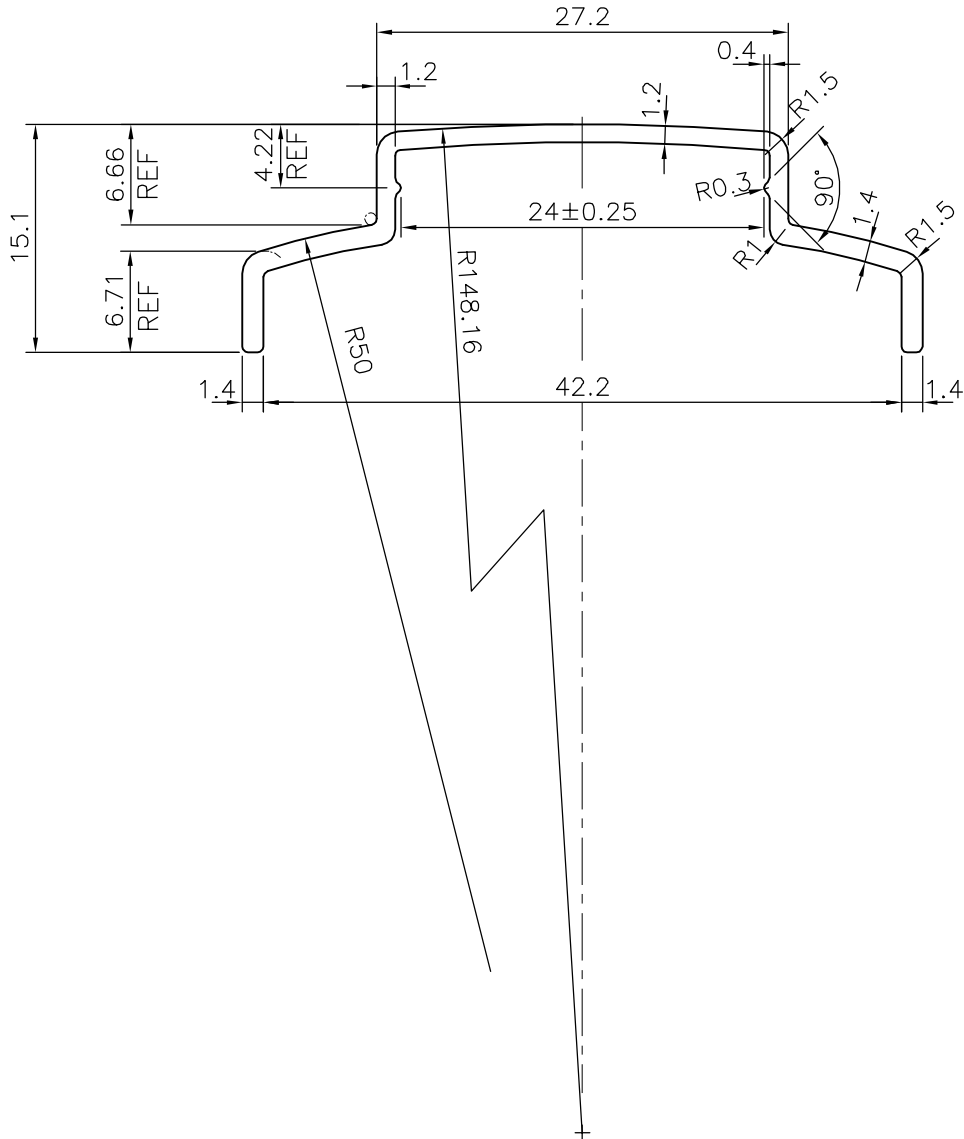
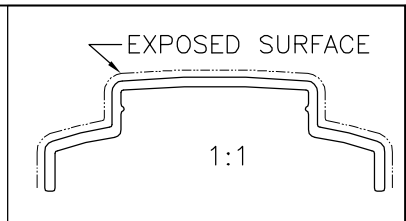
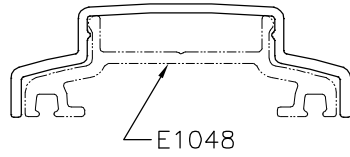


P-19288

E1049



SYMBOL OF QUALITY  
AN ISO 9001 COMPANY

**JINDAL ALUMINIUM LTD.**  
BANGALORE-560073 (INDIA)

	NAME	DATE
DRAWN	J.P.KAUSHIK	18-03-2019
CHECKED		
APPROVED	B.NATARAJA	02-04-2019
SCALE		2:1
AREA	mm <sup>2</sup>	86.317
PERIMETER	mm.	135.382
WEIGHT	kg/m	0.233
DRAWING No.	SECTION No.	
P-19288	-	
E1049	E1049	

1. ALL DIMENSIONS ARE IN mm.
2. ROUND OFF ALL SHARP CORNERS WITH 0.40 mm.
3. TOLERANCES WILL BE AS PER BS:EN-755-9 UNLESS OTHERWISE SPECIFIED

PARTY'S NAME	CLEAR AMBER GROUP,UK
PARTY'S DRAWING No.	206669
ALLOY & TEMPER	6063 T6
DESCRIPTION	MISC. SECTION