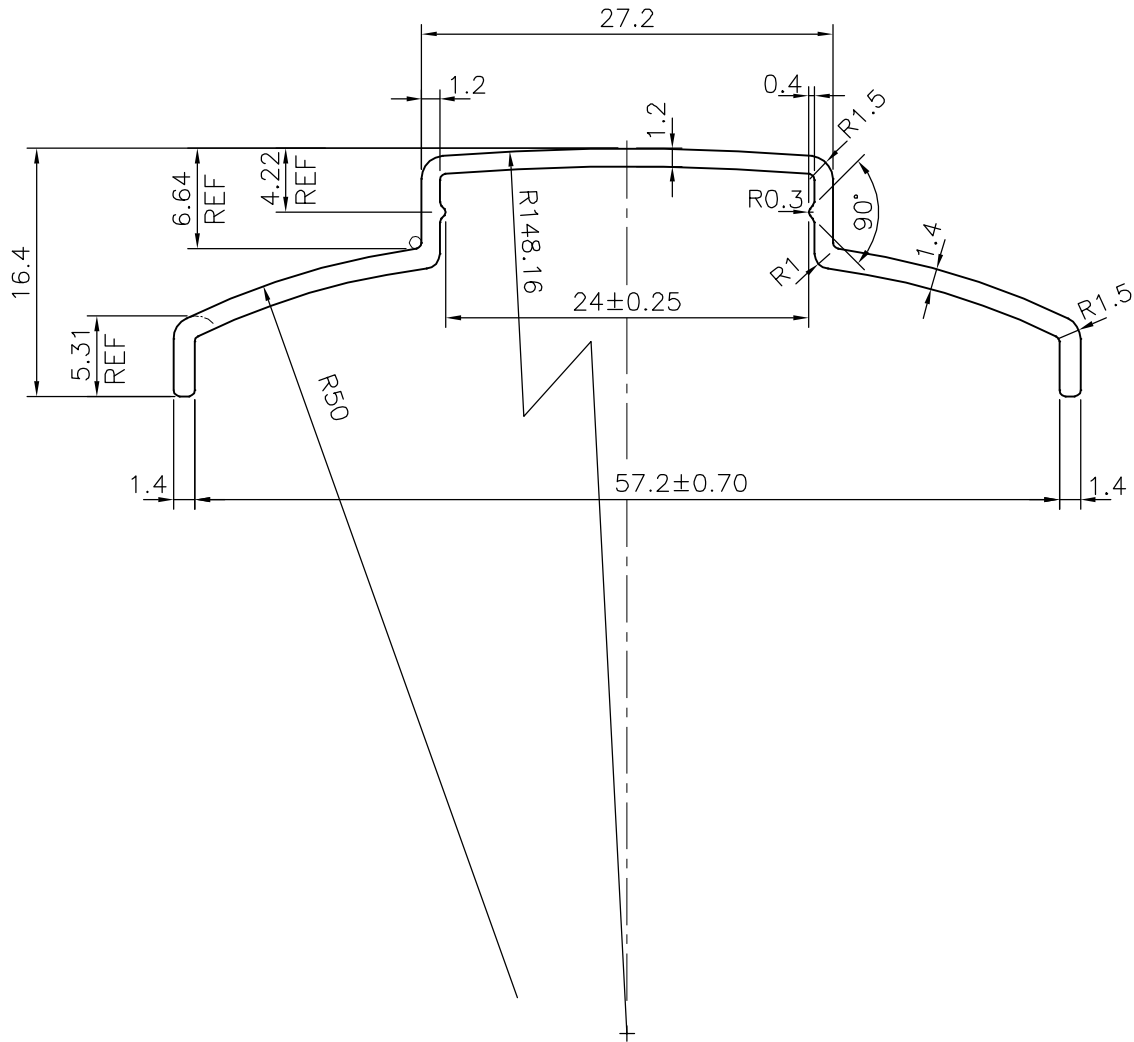
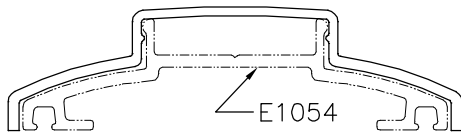
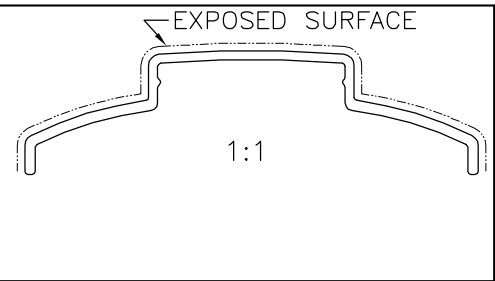


P-19292

E1053



SYMBOL OF QUALITY
AN ISO 9001 COMPANY

JINDAL ALUMINIUM LTD.
BANGALORE-560073 (INDIA)

	NAME	DATE
DRAWN	J.P.KAUSHIK	18-03-2019
CHECKED		
APPROVED	B.NATARAJA	02-04-2019
SCALE		2:1
AREA mm ²		104.801
PERIMETER mm.		161.811
WEIGHT kg/m		0.283
DRAWING No.	SECTION No.	
P-19292	-	
E1053	E1053	

1. ALL DIMENSIONS ARE IN mm.
2. ROUND OFF ALL SHARP CORNERS WITH 0.40 mm.
3. TOLERANCES WILL BE AS PER BS:EN-755-9 UNLESS OTHERWISE SPECIFIED

PARTY'S NAME	CLEAR AMBER GROUP,UK
PARTY'S DRAWING No.	206667
ALLOY & TEMPER	6063 T6
DESCRIPTION	MISC. SECTION