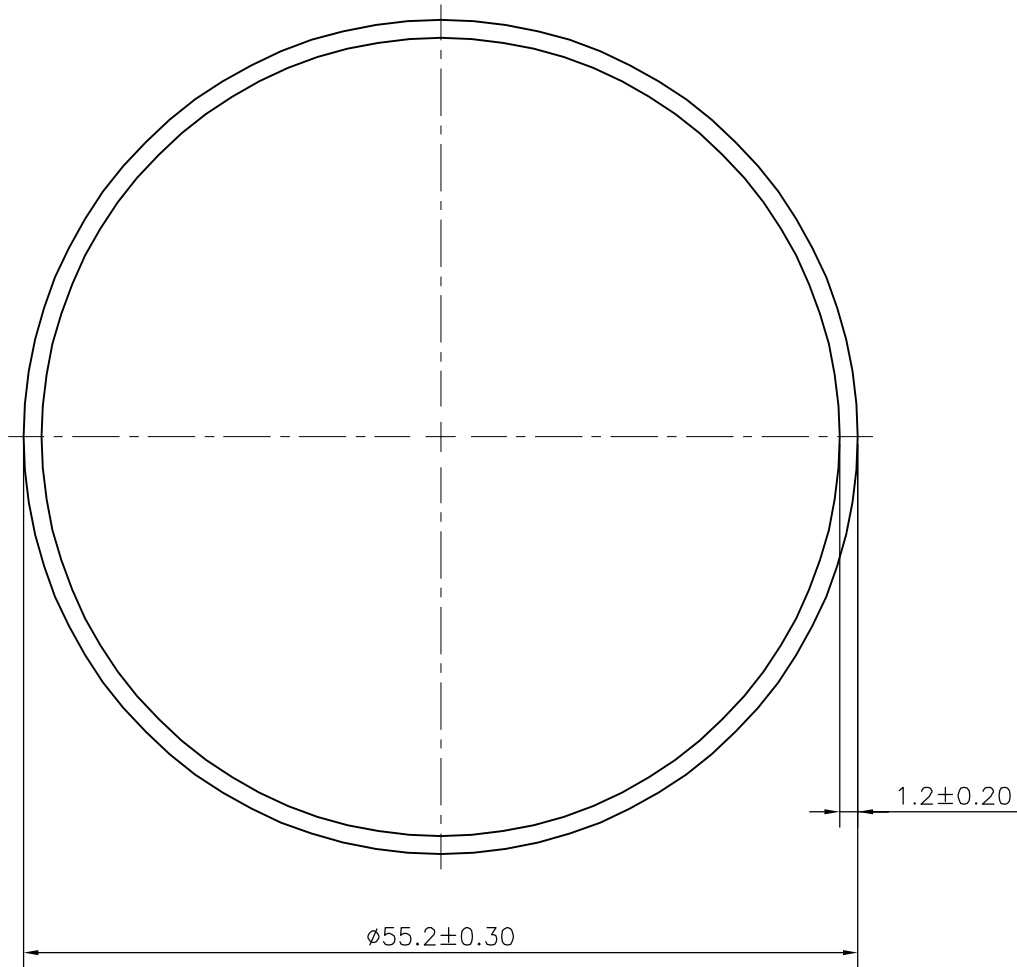
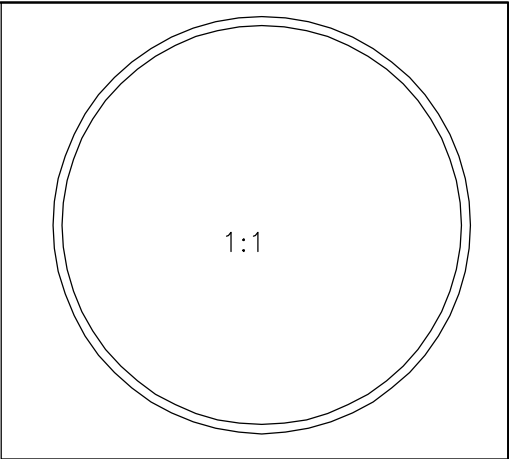


P-19255

E1064



OVALITY: - ±0.50



SYMBOL OF QUALITY
AN ISO 9001 COMPANY

JINDAL ALUMINIUM LTD.
BANGALORE-560073 (INDIA)

	NAME	DATE
DRAWN	J.P.KAUSHIK	08-03-2019
CHECKED		
APPROVED	B.NATARAJA	03-04-2019
SCALE		2:1
AREA mm ²		203.575
PERIMETER mm.		173.416
WEIGHT kg/m		0.550
DRAWING No.	SECTION No.	
P-19255	-	
E1064	E1064	

1. ALL DIMENSIONS ARE IN mm.
2. ROUND OFF ALL SHARP CORNERS WITH 0.40 mm.
3. TOLERANCES WILL BE AS PER IS:2673-2002 , UNLESS OTHERWISE SPECIFIED

PARTY'S NAME	KELVION INDIA PVT. LTD., THANE
PARTY'S DRAWING No.	AS PER SPECIFICATION
ALLOY & TEMPER	1060 'F'
DESCRIPTION	ROUND TUBE