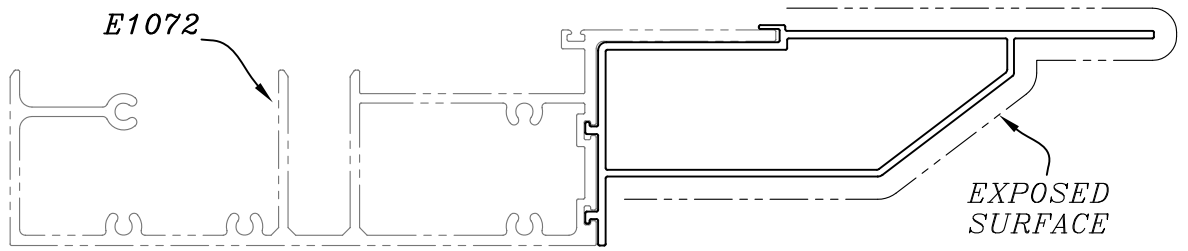
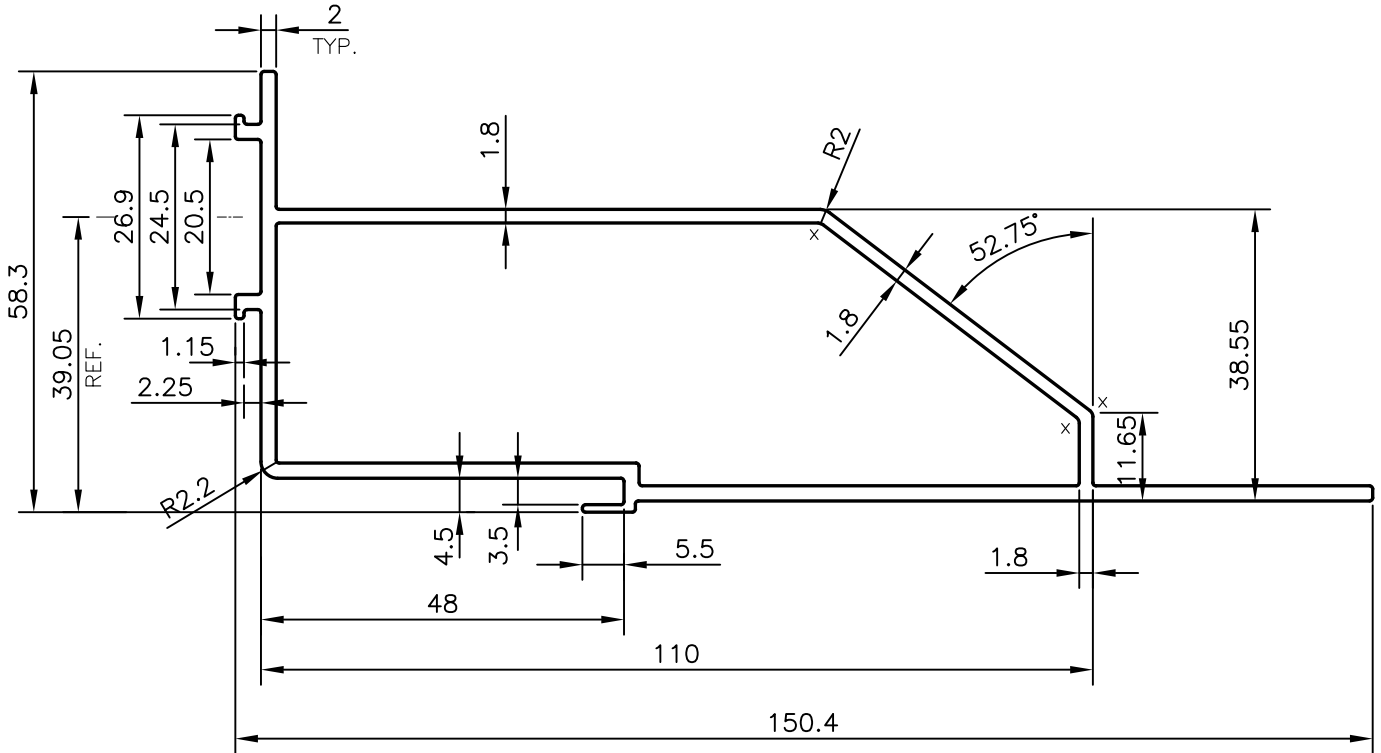


P-19184-2

E1075



SCALE: - 0.5:1



X = RADIUS 1 mm. (3 PLACES)

TOLERANCES ON OVERALL WIDTHS & WIDTHS ACROSS FLATS OF BARS, & REGULAR SECTIONS

UPTO 6.40mm - ±0.20	UPTO 32.0mm - ±0.38	UPTO 120.0mm - ±0.85	<b>1. STRAIGHTNESS=1.0mm/M</b> <b>2. TWIST=1.0mm/M</b> <b>3. ANGULARITY= ±1°</b> <b>4. FLATNESS =0.007xWIDTH</b>
UPTO 10.0mm - ±0.23	UPTO 50.0mm - ±0.46	UPTO 160.0mm - ±1.02	
UPTO 12.0mm - ±0.25	UPTO 60.0mm - ±0.53	UPTO 200.0mm - ±1.14	
UPTO 16.0mm - ±0.28	UPTO 80.0mm - ±0.69	UPTO 250.0mm - ±1.40	
UPTO 25.0mm - ±0.30	UPTO 100.0mm - ±0.75	UPTO 300.0mm - ±1.65	



SYMBOL OF QUALITY  
AN ISO 9001 COMPANY

**JINDAL ALUMINIUM LTD.**  
BANGALORE-560073 (INDIA)

	NAME	DATE
DRAWN	PARVESH	01-03-2019
CHECKED		
APPROVED	B.NATARAJA	11-04-2019

- ALL DIMENSIONS ARE IN mm.
- ROUND OFF ALL SHARP CORNERS WITH 0.4 mm.
- TOLERANCES WILL BE AS PER IS:6477-1983 , UNLESS OTHERWISE SPECIFIED

SCALE	1:1
AREA mm <sup>2</sup>	652.06
PERIMETER mm.	416.982
WEIGHT kg/m	1.761

PARTY'S NAME	ALUFIT (INDIA) PRIVATE LIMITED, BANGALORE
PARTY'S DRAWING No.	AS PER AUTOCAD DRAWING-4SR-DIE-23
ALLOY & TEMPER	6063 T6
DESCRIPTION	CURTAIN WALL SECTION-EDGE GUARD ADAPTER

DRAWING No.	SECTION No.
P-19184-2	-
E1075	E1075