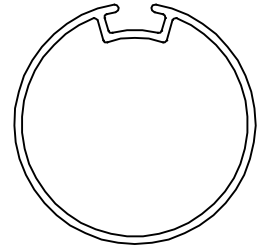
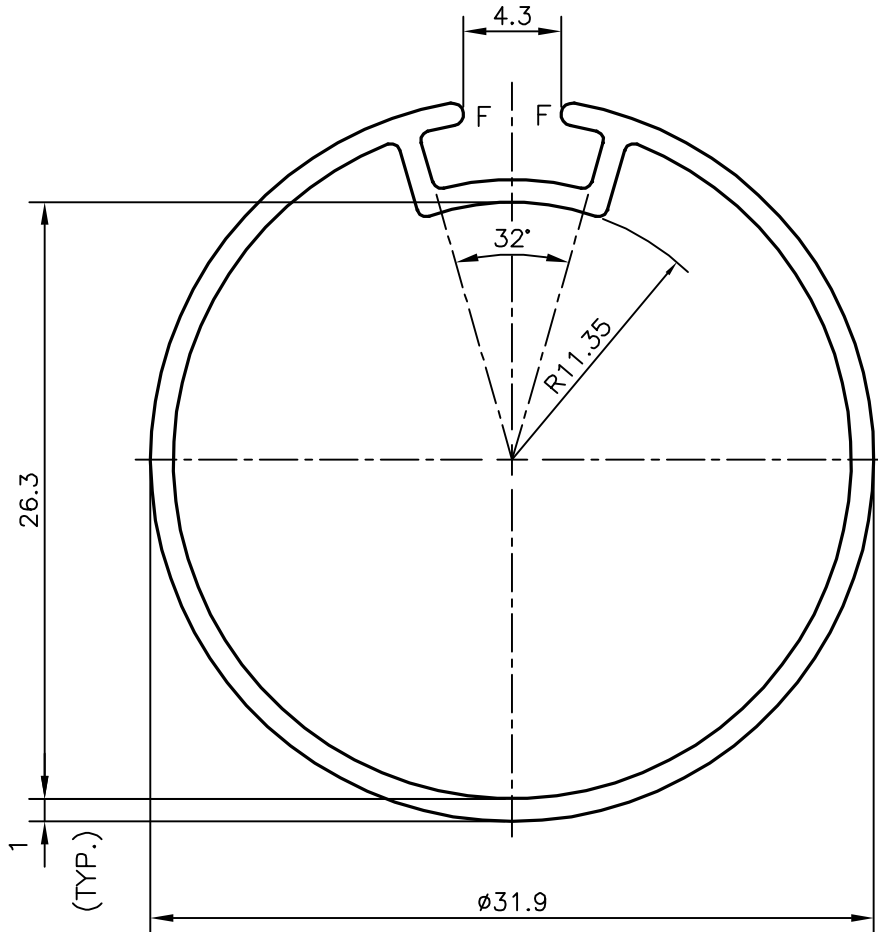


P-19502

E1102



1:1



F = FULL RADIUS (2)



SYMBOL OF QUALITY
AN ISO 9001 COMPANY

JINDAL ALUMINIUM LTD.
BANGALORE-560073 (INDIA)

	NAME	DATE
DRAWN	DARPAN	03-05-2019
CHECKED		
APPROVED	B.NATARAJA	10-05-2019
SCALE		3:1
AREA mm ²		106.501
PERIMETER mm.		112.468
WEIGHT kg/m		0.288
DRAWING No.	SECTION No.	
P-19502	-	
E1102	E1102	

1. ALL DIMENSIONS ARE IN mm.
2. ROUND OFF ALL SHARP CORNERS WITH 0.40 mm.
3. TOLERANCES WILL BE AS PER IS:6477-1983 , UNLESS OTHERWISE SPECIFIED

PARTY'S NAME	MAC LIFESTYLE PRODUCT LTD., NEW DELHI
PARTY'S DRAWING No.	AS PER SAMPLE
ALLOY & TEMPER	6063 T6
DESCRIPTION	VENETIAN BLIND SECTION