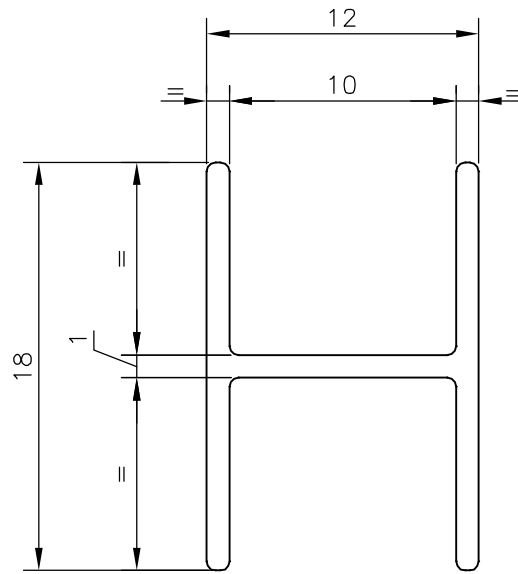
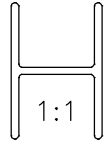


P-19599

E1139



SYMBOL OF QUALITY
AN ISO 9001 COMPANY

JINDAL ALUMINIUM LTD.
BANGALORE-560073 (INDIA)

	NAME	DATE
DRAWN	J.P.KAUSHIK	31-05-2019
CHECKED		
APPROVED	B.NATARAJA	18-06-2019
SCALE		3:1
AREA mm ²		45.863
PERIMETER mm.		91.94
WEIGHT kg/m		0.124
DRAWING No.	SECTION No.	
P-19599	-	
E1139	E1139	

1. ALL DIMENSIONS ARE IN mm.
2. ROUND OFF ALL SHARP CORNERS WITH 0.40 mm.
3. TOLERANCES WILL BE AS PER IS:3965-1981 , UNLESS OTHERWISE SPECIFIED

PARTY'S NAME	INTEGRA OFFICE SOLUTIONS, BANGALORE
PARTY'S DRAWING No.	AS PER DRAWING
ALLOY & TEMPER	6063 T6
DESCRIPTION	H SECTION