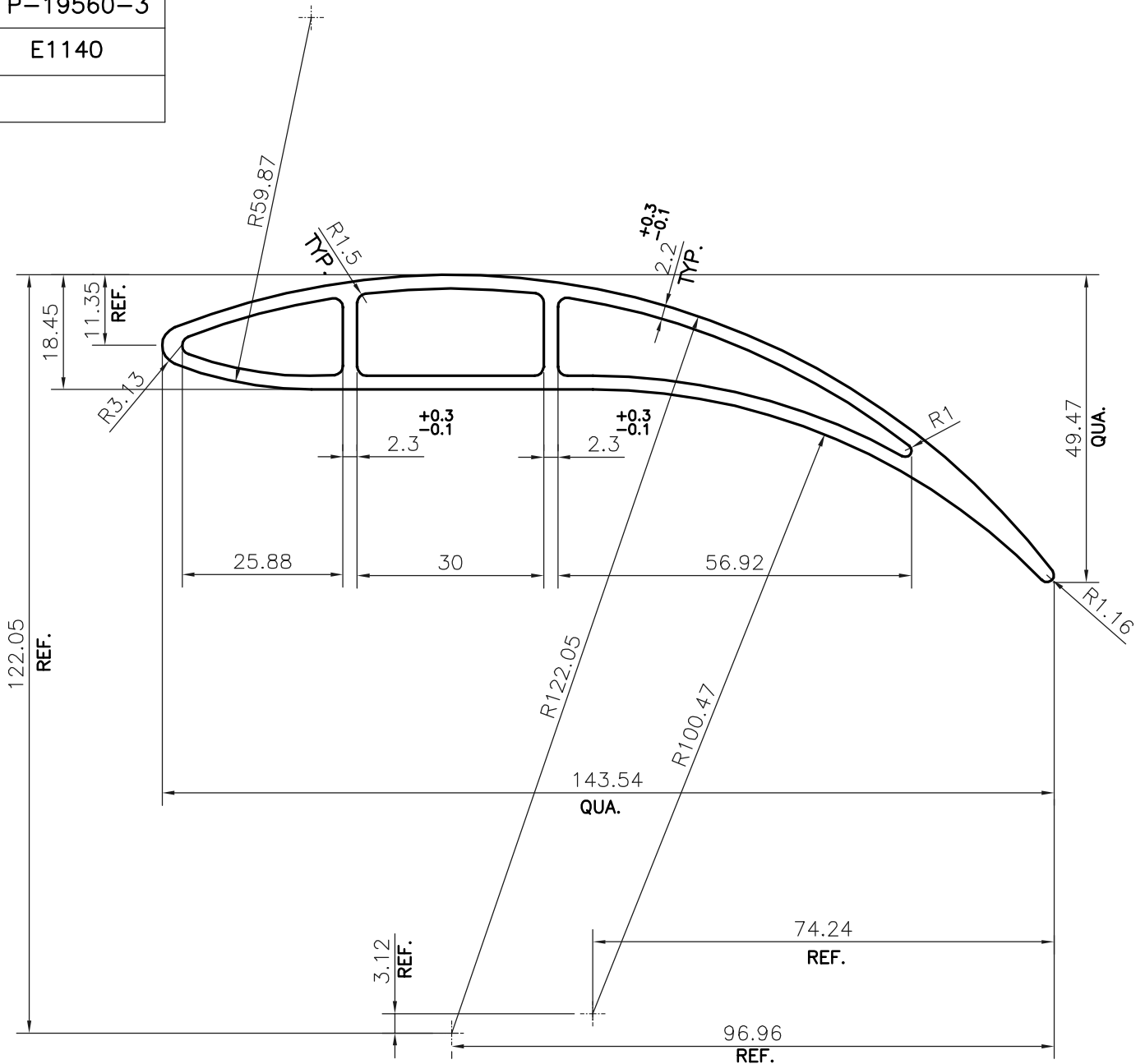


P-19560-3

E1140



SYMBOL OF QUALITY
AN ISO 9001 COMPANY

JINDAL ALUMINIUM LTD.
BANGALORE-560073 (INDIA)

| | NAME | DATE |
|----------|------------|------------|
| DRAWN | DARPAN | 07-06-2019 |
| CHECKED | | |
| APPROVED | B.NATARAJA | 24-06-2019 |

1. ALL DIMENSIONS ARE IN mm.
2. ROUND OFF ALL SHARP CORNERS WITH 0.40 mm.
3. TOLERANCES WILL BE AS PER EN12020-2001 , UNLESS OTHERWISE SPECIFIED

| | |
|----------------------|---------|
| SCALE | 1:1 |
| AREA mm ² | 743.155 |
| PERIMETER mm. | 316.782 |
| WEIGHT kg/m | 2.007 |

| | |
|---------------------|--|
| PARTY'S NAME | NUTECH ENGINEERING TECHNOLOGIES LTD., MUMBAI |
| PARTY'S DRAWING No. | AIRVENT/LOUVER INTAKE DRAFTER VER.004 |
| ALLOY & TEMPER | 6063 T6 |
| DESCRIPTION | LOUVER BLADE SECTION |

| DRAWING No. | SECTION No. |
|-------------|-------------|
| P-19560-3 | - |
| E1140 | E1140 |
| | |
| | |