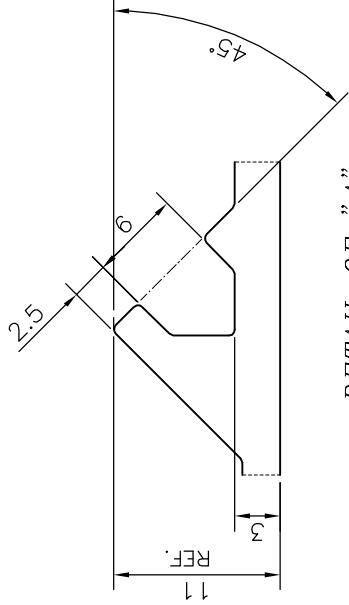
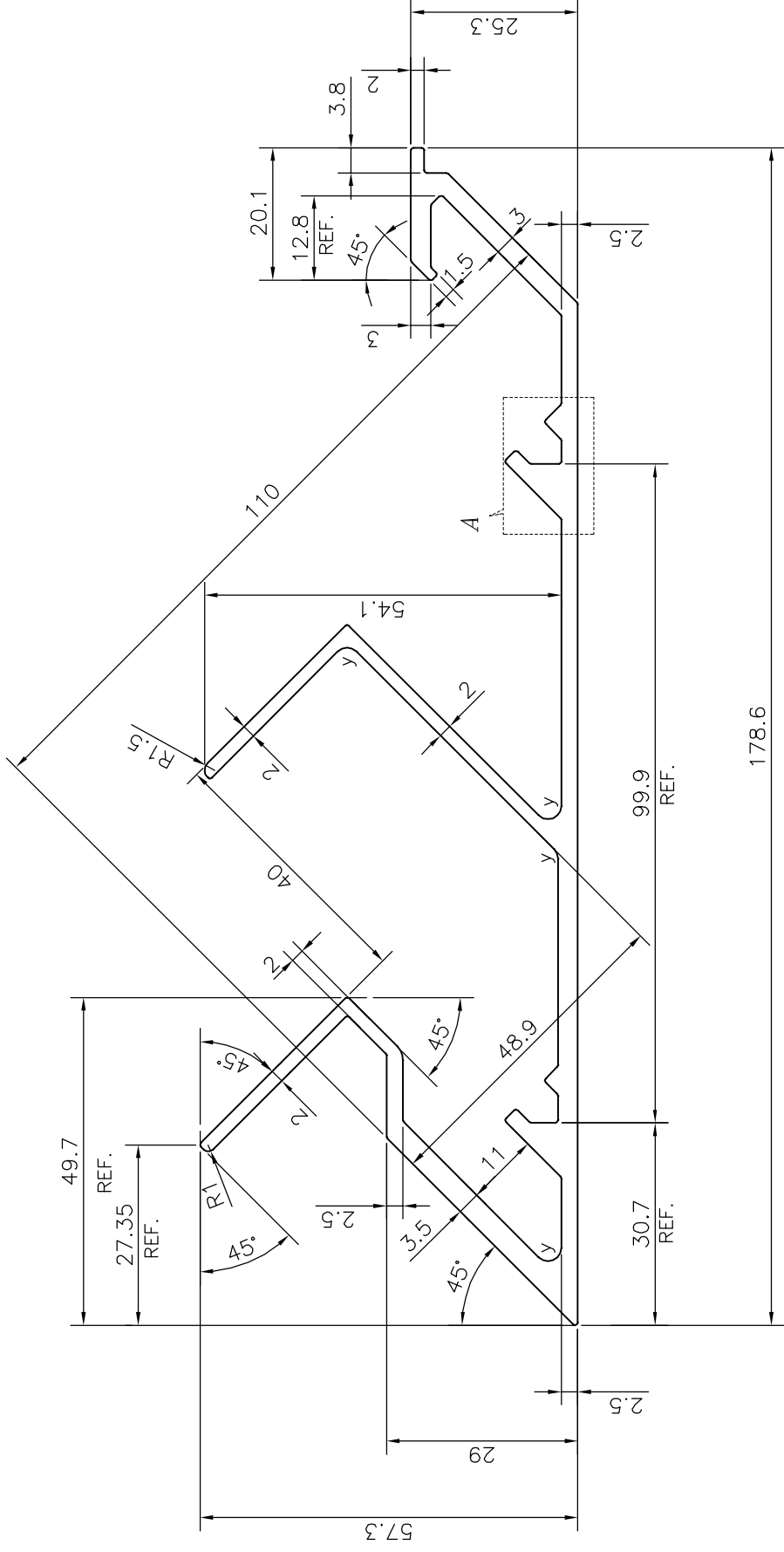


P-20036

E1172



Y = RADIUS 2 mm. (4 PLACES)

TOLERANCES ON OVERALL WIDTHS & WIDTHS ACROSS FLATS OF BARS, & REGULAR SECTIONS

UPTO 6.40mm - ±0.20	UPTO 32.0mm - ±0.38	UPTO 120.0mm - ±0.85	1. STRAIGHTNESS=1.0mm/M
UPTO 10.0mm - ±0.23	UPTO 50.0mm - ±0.46	UPTO 160.0mm - ±1.02	2. TWIST=1.0mm/M
UPTO 12.0mm - ±0.25	UPTO 60.0mm - ±0.53	UPTO 200.0mm - ±1.14	3. ANGULARITY= ±1°
UPTO 16.0mm - ±0.28	UPTO 80.0mm - ±0.69	UPTO 250.0mm - ±1.40	4. FLATNESS =0.007xWIDTH
UPTO 25.0mm - ±0.30	UPTO 100.0mm - ±0.75	UPTO 300.0mm - ±1.65	

<p>SYMBOL OF QUALITY AN ISO 9001 COMPANY</p>	JINDAL ALUMINIUM LTD.		DRAWN	J.P. KAUSHIK	20-08-2019
	BANGALORE-560073 (INDIA)		CHECKED		
	1. ALL DIMENSIONS ARE IN mm. 2. ROUND OFF ALL SHARP CORNERS WITH 0.50 mm. 3. TOLERANCES WILL BE AS PER IS:3965-1981 , UNLESS OTHERWISE SPECIFIED		APPROVED	B.NATARAJA	06-09-2019
	PARTY'S NAME ALUFIT (INDIA) PRIVATE LIMITED, BANGALORE		SCALE		1:1
PARTY'S DRAWING No. OP-DIE-15		AREA	mm ²	1033.561	
ALLOY & TEMPER 6063 T6		PERIMETER	mm.	750.59	
DESCRIPTION CURTAIN WALL SECTION-EXT. CORNER MALE MULLION		WEIGHT	kg/m	2.791	
		DRAWING No.		SECTION No.	
		P-20036		-	
		E1172		E1172	

