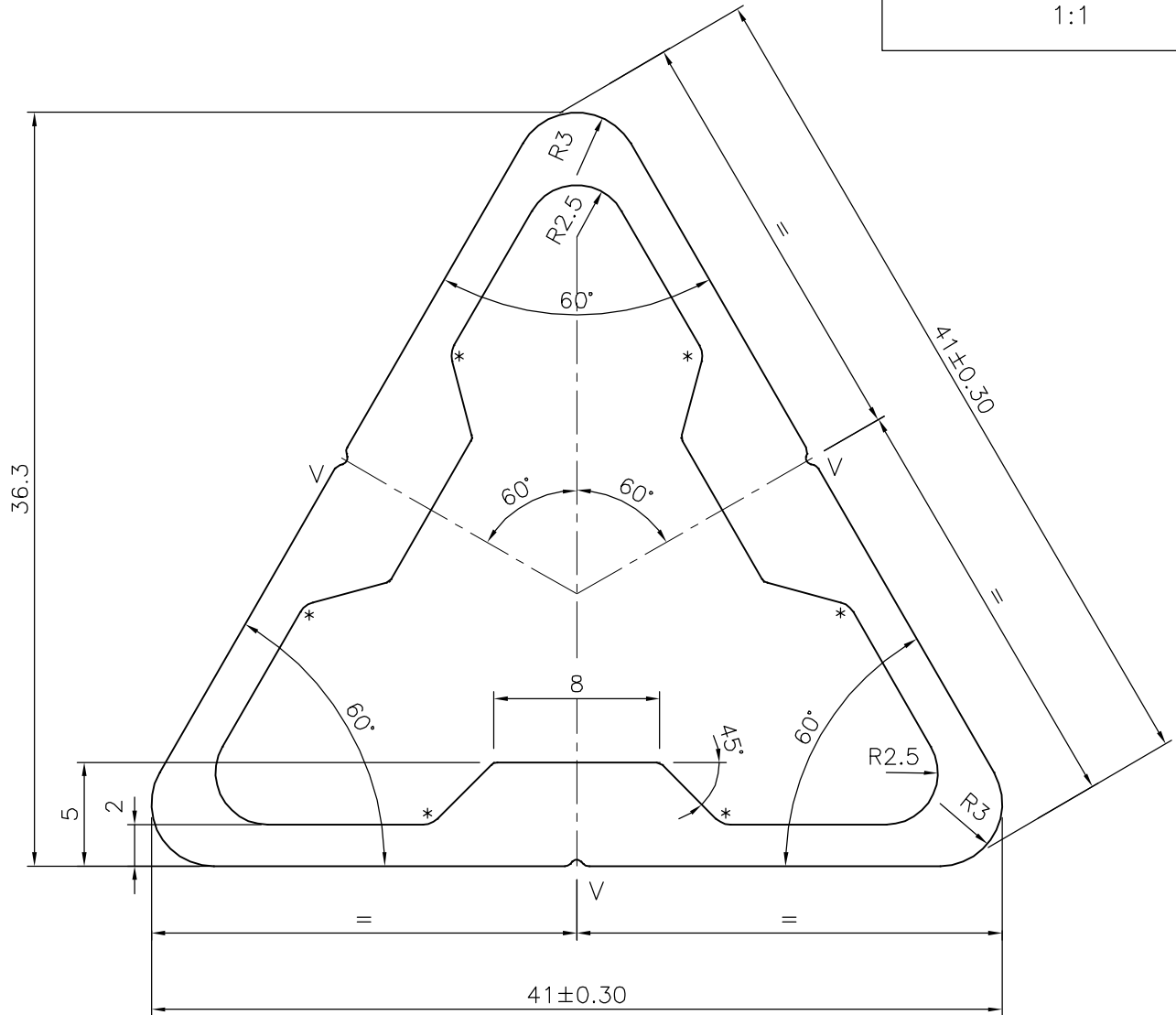
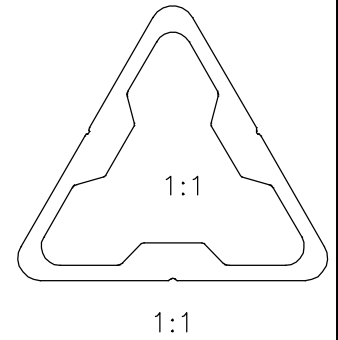


P-19964

E1210



\*= 1.0 RADIUS (3 PLACES)  
 V= V GROOVE 0.3x90° (3 PLACES)



SYMBOL OF QUALITY  
 AN ISO 9001 COMPANY

**JINDAL ALUMINIUM LTD.**  
 BANGALORE-560073 (INDIA)

	NAME	DATE
DRAWN	J.P.KAUSHIK	08-08-2019
CHECKED		
APPROVED	B.NATARAJA	07-11-2019
SCALE		3:1
AREA mm <sup>2</sup>		344.525
PERIMETER mm.		124.414
WEIGHT kg/m		0.930
DRAWING No.	SECTION No.	
P-19964	-	
E1210	E1210	

1. ALL DIMENSIONS ARE IN mm.
2. ROUND OFF ALL SHARP CORNERS WITH 0.40 mm.
3. TOLERANCES WILL BE AS PER IS:6477-1983 , UNLESS OTHERWISE SPECIFIED

PARTY'S NAME	WIPRO ENTERPRISES PVT. LTD., BANGALORE
PARTY'S DRAWING No.	YPL D 0075
ALLOY & TEMPER	6005 T6
DESCRIPTION	TRIANGLE LEG SECTION