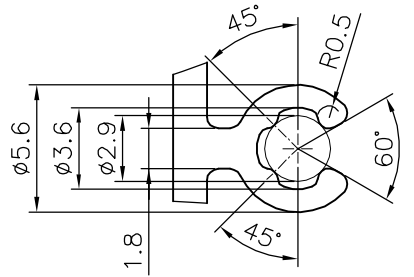
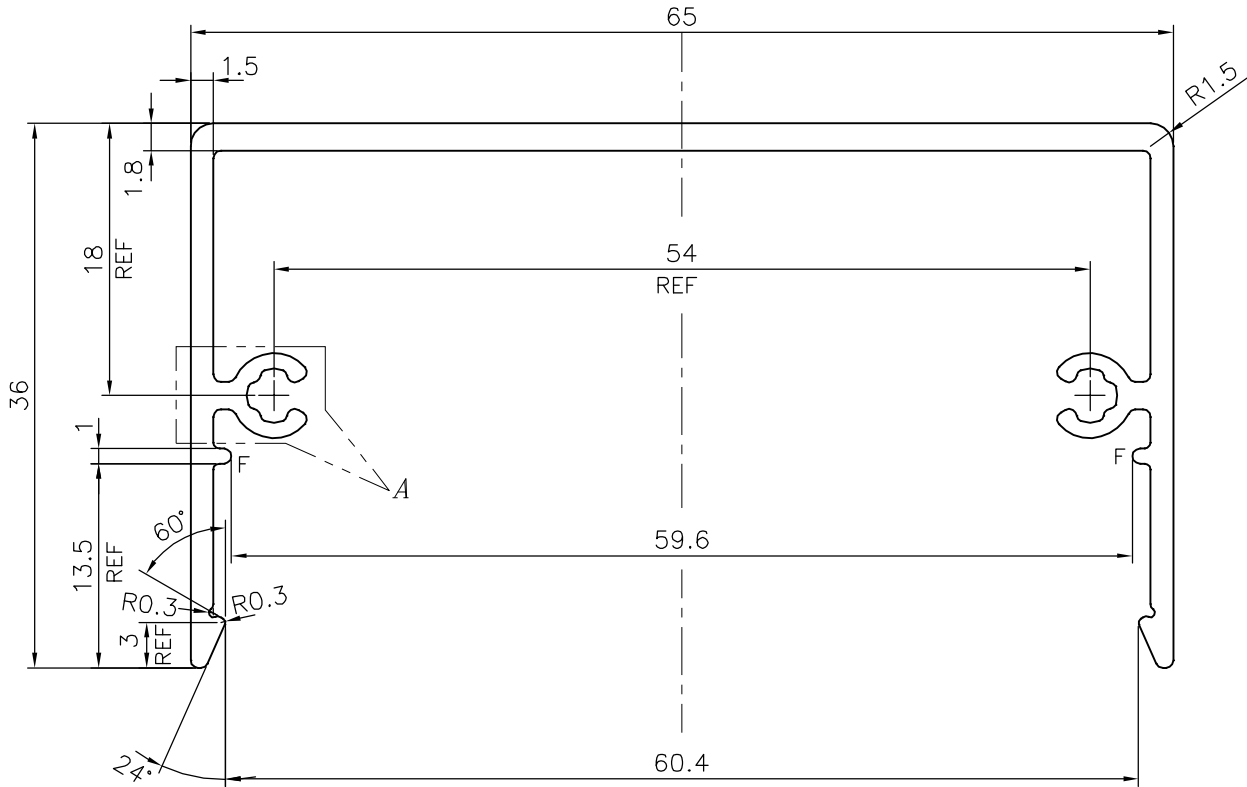
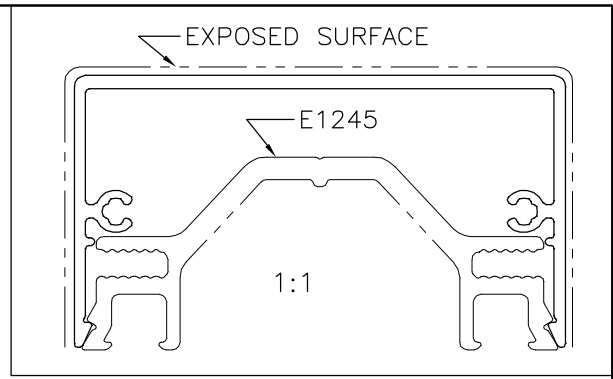


P-20151

E1244



DETAIL OF "A"
SCALE 3:1



F = FULL RADIUS (3 PLACES)
UNSPECIFIED RADIUS 0.5 mm

DIMENSION		TOLERANCES (EXCEPT OPEN ENDS)	TOLERANCES (OPEN ENDS)	
OVER	UP TO AND INCLUDING		E≤60	60<E≤120 ^Q
-	10	±0.15	±0.15	-
10	15	±0.20	±0.20	-
15	30	±0.25	±0.25	-
30	45	±0.30	±0.30	±0.45
45	60	±0.40	±0.40	±0.55
60	90	±0.45	±0.45	±0.65
90	120	±0.60	±0.60	±0.80
120	150	±0.80	±0.80	±1.0
150	180	±1.0	±1.0	±1.3
180	240	±1.2	±1.2	±1.5
240	300	±1.5	±1.5	±1.8



SYMBOL OF QUALITY
AN ISO 9001 COMPANY

JINDAL ALUMINIUM LTD.
BANGALORE-560073 (INDIA)

	NAME	DATE
DRAWN	J.P.KAUSHIK	17-09-2019
CHECKED		
APPROVED	B.NATARAJA	16-11-2019

- ALL DIMENSIONS ARE IN mm.
- ROUND OFF ALL SHARP CORNERS WITH 0.40 mm.
- TOLERANCES WILL BE AS PER BS:EN-12020-2, UNLESS OTHERWISE SPECIFIED

SCALE	2:1
AREA mm ²	252.643
PERIMETER mm.	321.618
WEIGHT kg/m	0.682

PARTY'S NAME	EUROPEAN FACADE PRODUCTS, NETHERLANDS
PARTY'S DRAWING No.	EFP 65 UNITISED -18.643
ALLOY & TEMPER	6063 T6
DESCRIPTION	COVER CAP SECTION

DRAWING No.	SECTION No.
P-20151	-
E1244	E1244