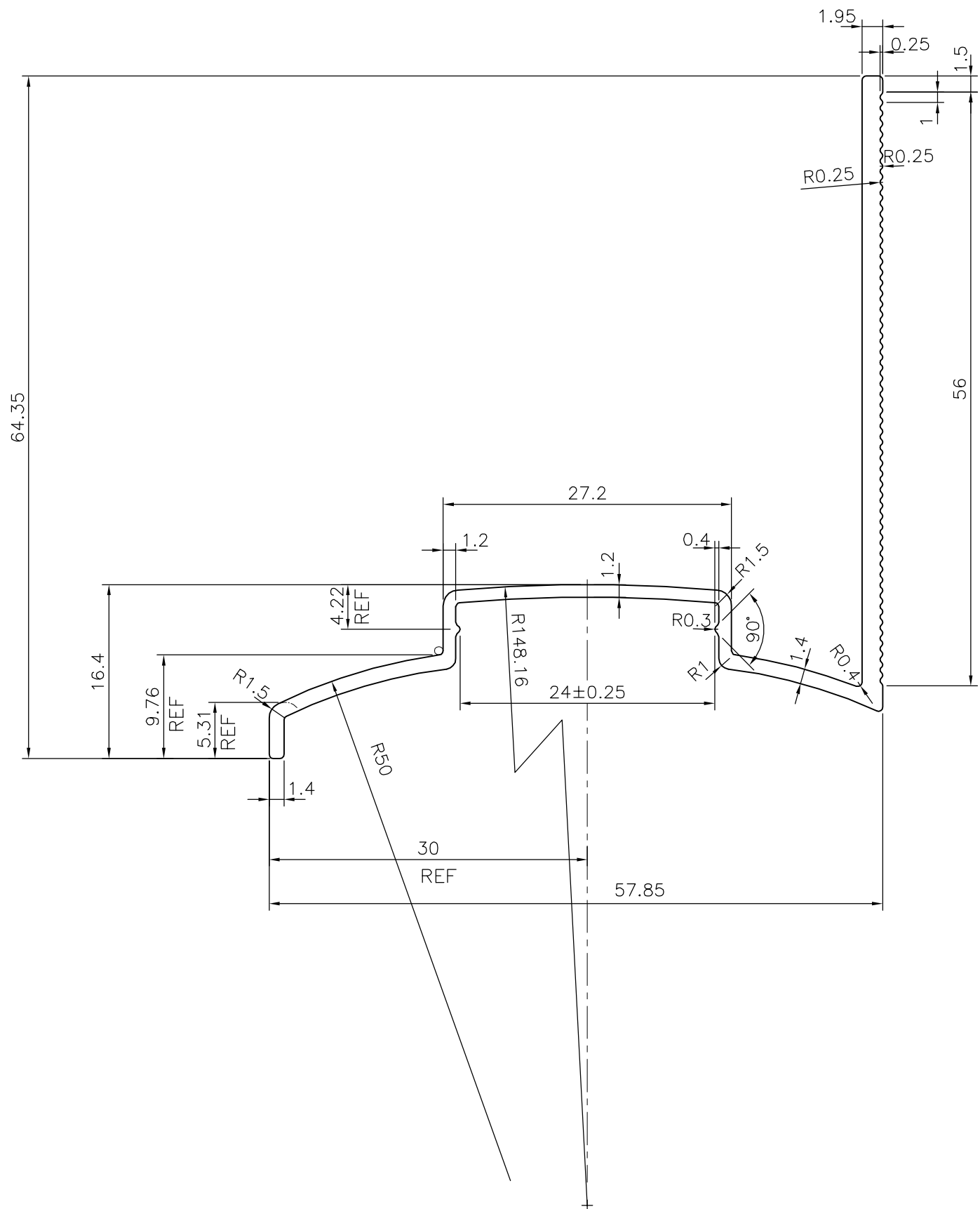



P-20445

E1266



TOLERANCE CHART CD = CIRCUMSCRIBING CIRCLE

	CD ≤ 100	100 < CD ≤ 200	200 < CD ≤ 300	300 < CD ≤ 500
UPTO 10mm -	±0.25	±0.30	±0.35	±0.40
10.0 -25.0 -	±0.30	±0.40	±0.50	±0.60
25.0 -50.0 -	±0.50	±0.60	±0.80	±0.90
50.0 -100.0 -	±0.70	±0.90	±1.10	±1.30
100 - 150 -	-	±1.10	±1.30	±1.50
150 - 200 -	-	±1.3	±1.50	±1.80
200 - 300 -	-	-	±1.70	±2.10
300 - 450 -	-	-	-	±2.80

 SYMBOL OF QUALITY AN ISO 9001 COMPANY	<b>JINDAL ALUMINIUM LTD.</b> BANGALORE-560073 (INDIA)	NAME	DATE
		DRAWN	J.P.KAUSHIK
		CHECKED	
		APPROVED	B.NATARAJA
		SCALE	2:1
		AREA mm <sup>2</sup>	203.046
		PERIMETER mm.	273.716
		WEIGHT kg/m	0.548
PARTY'S NAME	CLEAR AMBER GROUP, UK	DRAWING No.	SECTION No.
PARTY'S DRAWING No.	206670	P-20445	-
ALLOY & TEMPER	6063 T6	E1266	E1266
DESCRIPTION	WALL CLIP SECTION		

