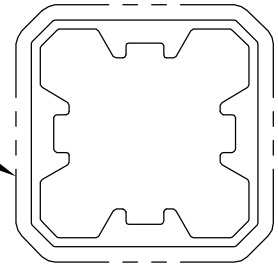


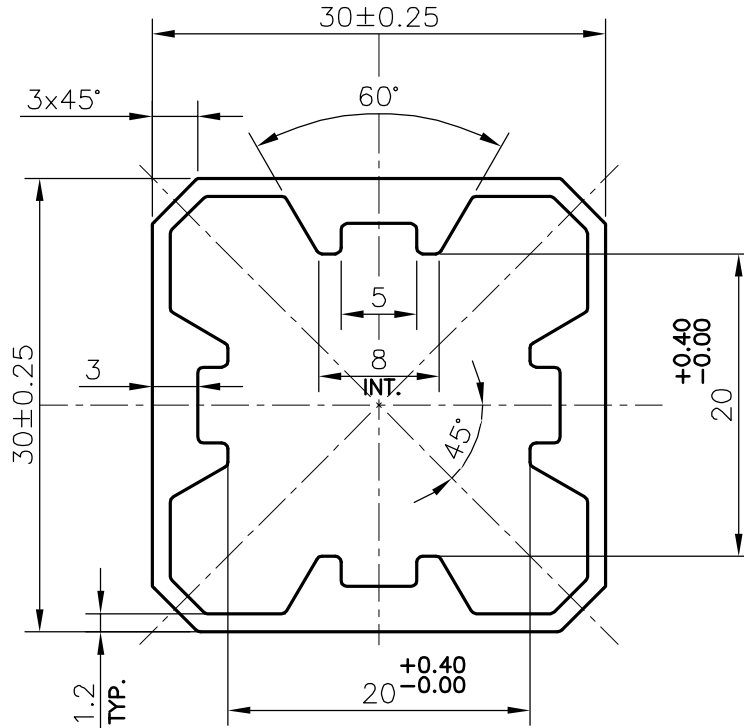
P-20657

E1325

ANODIZED SURFACE



SCALE: - 1:1



SCALE: - 2:1

TOLERANCES ON OVERALL DIMENSIONS OF HOLLOW SECTIONS

UPTO 20.0mm - ±0.30	UPTO 80.0mm - ±0.70	UPTO 180.0mm - ±1.27	1. STRAIGHTNESS=1.7mm/M 2. TWIST=1.7mm/M 3. ANGULARITY= ±2° 4. FLATNESS =0.006xWIDTH
UPTO 30.0mm - ±0.38	UPTO 100.0mm - ±0.80	UPTO 200.0mm - ±1.40	
UPTO 40.0mm - ±0.45	UPTO 120.0mm - ±0.90	UPTO 225.0mm - ±1.52	
UPTO 50.0mm - ±0.52	UPTO 140.0mm - ±1.00		
UPTO 60.0mm - ±0.60	UPTO 160.0mm - ±1.14		



SYMBOL OF QUALITY
AN ISO 9001 COMPANY

JINDAL ALUMINIUM LTD.
BANGALORE-560073 (INDIA)

	NAME	DATE
DRAWN	DARPAN	30-01-2020
CHECKED		
APPROVED	B.NATARAJA	29/05/2020

1. ALL DIMENSIONS ARE IN mm.
2. ROUND OFF ALL SHARP CORNERS WITH 0.40 mm.
3. TOLERANCES WILL BE AS PER IS:6477-1983 , UNLESS OTHERWISE SPECIFIED

SCALE	2:1
AREA mm ²	245.741
PERIMETER mm.	112.833
WEIGHT kg/m	0.663

PARTY'S NAME	WIPRO ENTERPRISES (P) LIMITED., BANGALORE
PARTY'S DRAWING No.	XBR-2D-E001
ALLOY & TEMPER	6063 T6
DESCRIPTION	30x30_3 WAY POST 333 SECTION

DRAWING No.	SECTION No.
P-20657	-
E1325	E1325