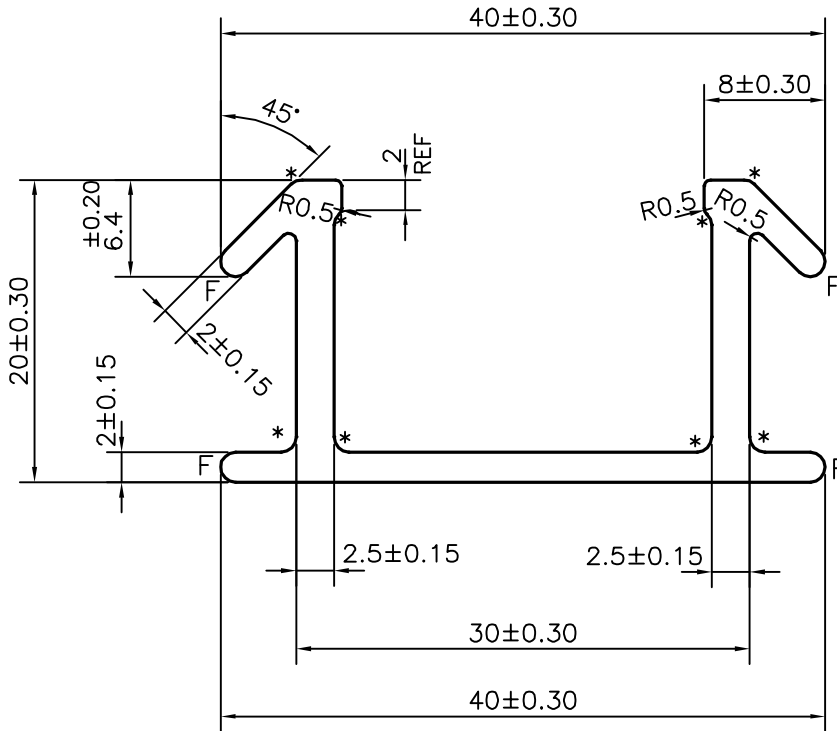


P-21352-2

E1390



SCALE: - 1:1



SCALE: - 2:1

* = 1.0 RADIUS (8 PLACES)
 F = FULL RADIUS (4 PLACES)



SYMBOL OF QUALITY
 AN ISO 9001 COMPANY

JINDAL ALUMINIUM LTD.
 BANGALORE-560073 (INDIA)

	NAME	DATE
DRAWN	J.P.KAUSHIK	26-09-2020
CHECKED		
APPROVED	B.NATARAJA	03-10-2020
SCALE		2:1
AREA mm ²		198.644
PERIMETER mm.		174.222
WEIGHT kg/m		0.536
DRAWING No.	SECTION No.	
P-21352-2	-	
E1390	E1390	

1. ALL DIMENSIONS ARE IN mm.
2. ROUND OFF ALL SHARP CORNERS WITH 0.40 mm.
3. TOLERANCES WILL BE AS PER IS:3965-1981 , UNLESS OTHERWISE SPECIFIED

PARTY'S NAME	SWIKRITI RENEWABLES PVT. LTD., MUMBAI
PARTY'S DRAWING No.	401004 REV. 04
ALLOY & TEMPER	6063 T6
DESCRIPTION	RAIL LANDSCAPE SECTION