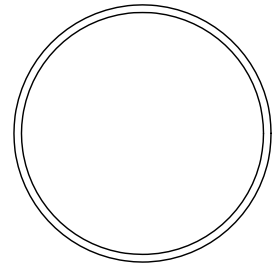
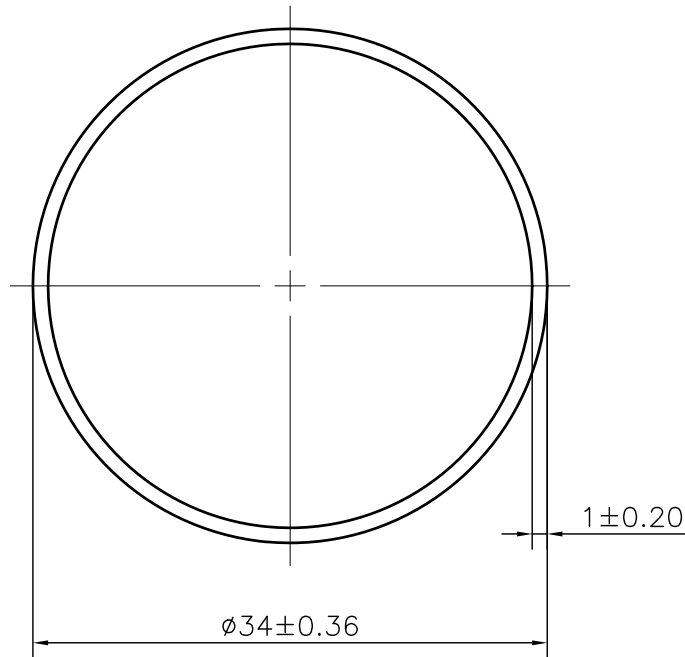


P-24295-1

G100271



SCALE:- 1:1



SYMBOL OF QUALITY
AN ISO 9001 COMPANY

JINDAL ALUMINIUM LTD.
BANGALORE-560073 (INDIA)

	NAME	DATE
DRAWN	SURENDRA	25-07-2022
CHECKED		
APPROVED	B.NATARAJA	29-07-2022

1. ALL DIMENSIONS ARE IN mm.
2. ROUND OFF ALL SHARP CORNERS WITH 0.40 mm.
3. TOLERANCES WILL BE AS PER IS:2673:2002 , UNLESS OTHERWISE SPECIFIED

SCALE	1:1
AREA mm ²	103.6726
PERIMETER mm.	106.8142
WEIGHT kg/m	0.280

PARTY'S NAME	MACRO AUTOTECH.,HARYANA		DRAWING No.	SECTION No.
PARTY'S DRAWING No.	AS PER SPECIFICATION		P-24295-1	7000000391
ALLOY & TEMPER	6063 T4	PRODUCT CODE:-006	G100271	G100271
		HSN CODE:-76082000		
DESCRIPTION	ROUND TUBE			