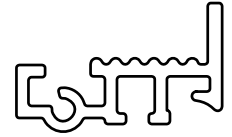
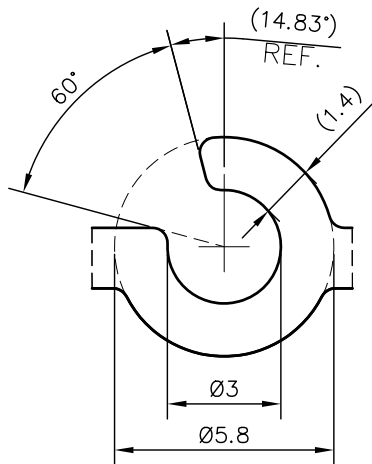
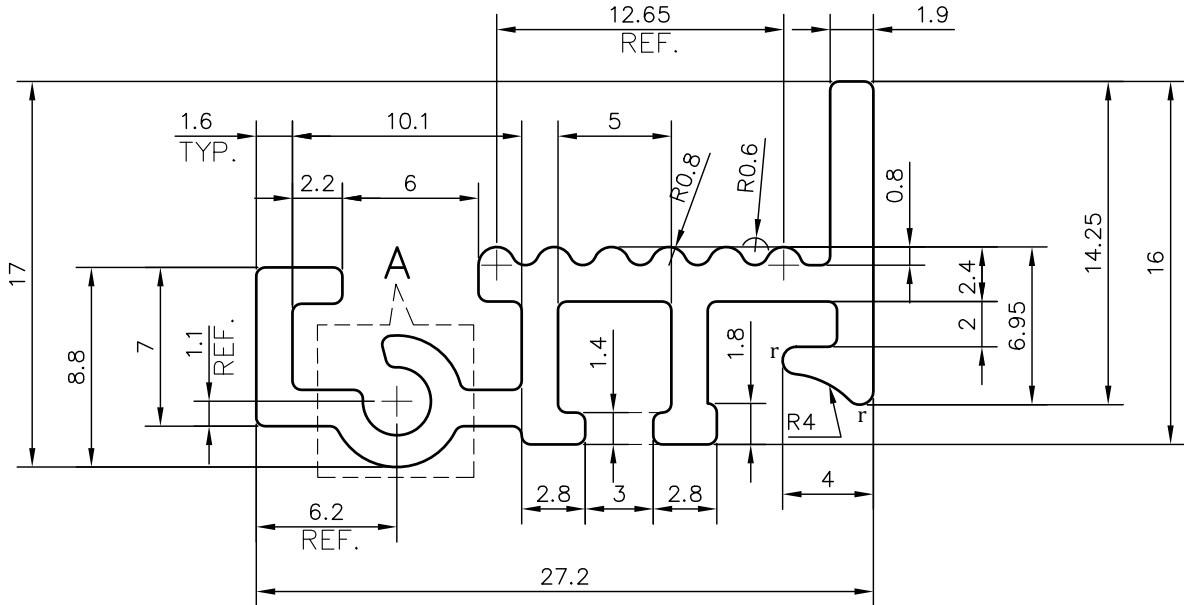


P-JAL-B-143-1

G101328



SCALE 1:1



DETAIL A
SCALE 5:1

NOTE:-

r=0.60 RADIUS (2 PLACES)

1. STRAIGHTNESS= 1.7mm/M
2. TWIST= 1.7mm/M
3. ANGULARITY= $\pm 2^\circ$
4. FLATNESS= 0.007xWIDTH

Q00356

CONTROLLED COPY



SYMBOL OF QUALITY
AN ISO 9001 COMPANY

JINDAL ALUMINIUM LTD.
BANGALORE-560073 (INDIA)

| | NAME | DATE |
|----------|----------|------------|
| DRAWN | ASHUTOSH | 09-08-2023 |
| CHECKED | PARVESH | 08-09-2023 |
| APPROVED | J.N. RAI | 08-09-2023 |

1. ALL DIMENSIONS ARE IN mm.
2. ROUND OFF ALL SHARP CORNERS WITH 0.40 mm.
3. TOLERANCES WILL BE AS PER BS:EN-755-9 , UNLESS OTHERWISE SPECIFIED

| | |
|----------------------|---------|
| SCALE | 3:1 |
| AREA mm ² | 121.115 |
| PERIMETER mm. | 144.83 |
| WEIGHT kg/m | 0.327 |

| | | | | | |
|---------------------|---------------------------------------|----------------------|---------------|-------------|------------|
| PARTY'S NAME | UNITED CONCEPTS & SOLUTIONS PVT. LTD. | DRAWING No. | P-JAL-B-143-1 | SECTION No. | 7000001458 |
| PARTY'S DRAWING No. | AS PER CUSTOMER REVISED DRAWING | | G101328 | | G101328 |
| ALLOY & TEMPER | 6063 T6 | PRODUCT CODE: -051 | | | |
| | | HSN CODE: - 76042990 | | | |
| DESCRIPTION | FURNITURE SECTION | | | | |