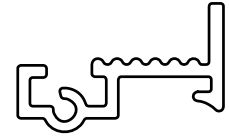
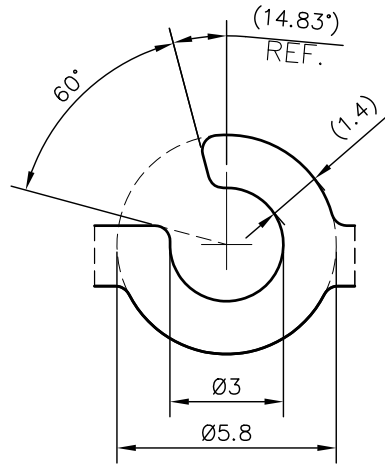
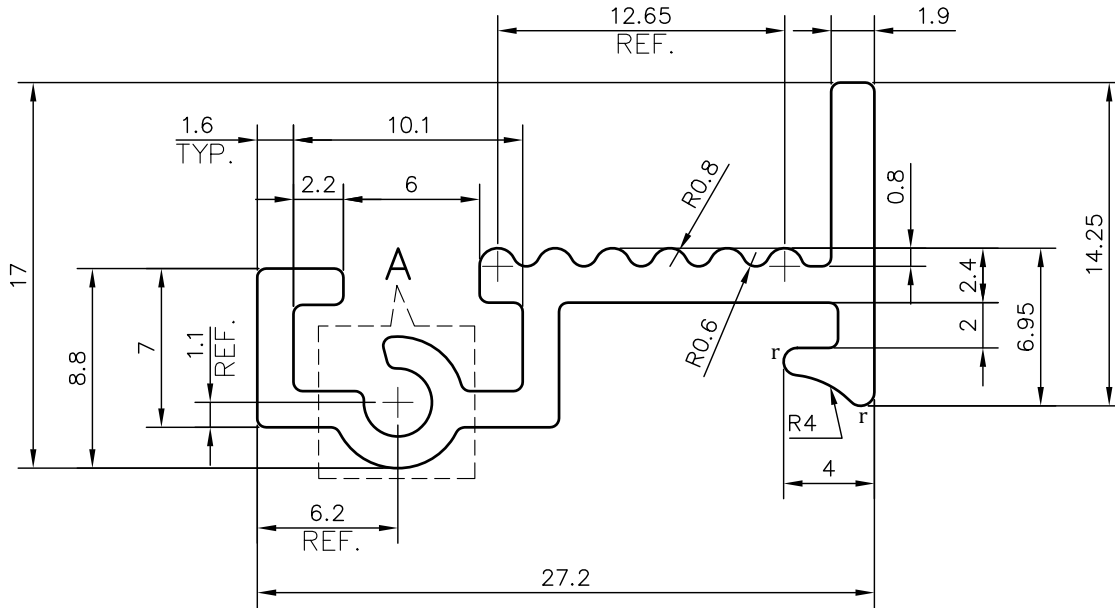


P-JAL-B-309

G101330



SCALE 1:1



DETAIL A  
SCALE 5:1

**NOTE:-**

**r=0.60 RADIUS (2 PLACES)**

1. STRAIGHTNESS= 1.7mm/M
2. TWIST= 1.7mm/M
3. ANGULARITY= ±2°
4. FLATNESS= 0.007xWIDTH

Q00774

CONTROLLED COPY



SYMBOL OF QUALITY  
AN ISO 9001 COMPANY

**JINDAL ALUMINIUM LTD.**  
BANGALORE-560073 (INDIA)

	NAME	DATE
DRAWN	ASHUTOSH	10-08-2023
CHECKED	PARVESH	08-09-2023
APPROVED	J.N RAI	08-09-2023

1. ALL DIMENSIONS ARE IN mm.
2. ROUND OFF ALL SHARP CORNERS WITH 0.40 mm.
3. TOLERANCES WILL BE AS PER BS:EN-755-9 , UNLESS OTHERWISE SPECIFIED

SCALE	3:1
AREA mm <sup>2</sup>	106.27
PERIMETER mm.	127.72
WEIGHT kg/m	0.287

PARTY'S NAME	UNITED CONCEPTS & SOLUTIONS PVT. LTD.	DRAWING No.	P-JAL-B-309	SECTION No.	7000001460
PARTY'S DRAWING No.	AS PER CUSTOMER REVISED DRAWING		G101330		G101330
ALLOY & TEMPER	6063 T6	PRODUCT CODE: -051			
		HSN CODE: - 76042990			
DESCRIPTION	FURNITURE SECTION				