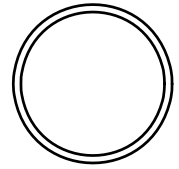
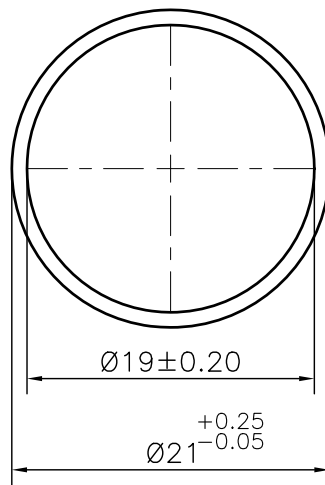


P-JAL-B-314

G101343



SCALE 1:1



1. STRAIGHTNESS= 1.7mm/M
2. TWIST= 1.7mm/M
3. ANGULARITY= $\pm 2^\circ$
4. FLATNESS= 0.007xWIDTH

Q00873

CONTROLLED COPY



SYMBOL OF QUALITY
AN ISO 9001 COMPANY

JINDAL ALUMINIUM LTD.
BHIWADI-301019 (INDIA)

	NAME	DATE
DRAWN	ASHUTOSH	28-08-2023
CHECKED	PARVESH	13-09-2023
APPROVED	J.N. RAI	13-09-2023
SCALE		2:1
AREA mm ²		62.832
PERIMETER mm.		65.973
WEIGHT kg/m		0.170
DRAWING No.		SECTION No.
P-JAL-B-314		7000001493
G101343		G101343

1. ALL DIMENSIONS ARE IN mm.
2. ROUND OFF ALL SHARP CORNERS WITH 0.40 mm.
3. TOLERANCES WILL BE AS PER BS:EN-755-9 , UNLESS OTHERWISE SPECIFIED

PARTY'S NAME	UNGER INDIA PVT. LTD.	
PARTY'S DRAWING No.	AS PER DRAWING	
ALLOY & TEMPER	6063 T6	PRODUCT CODE:-006
		HSN CODE:- 76082000
DESCRIPTION	ROUND TUBE	