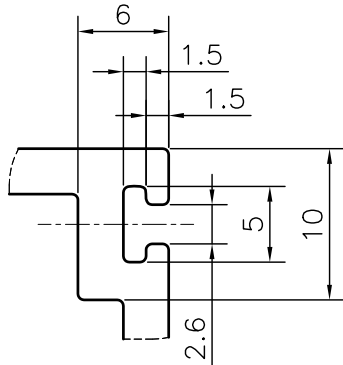
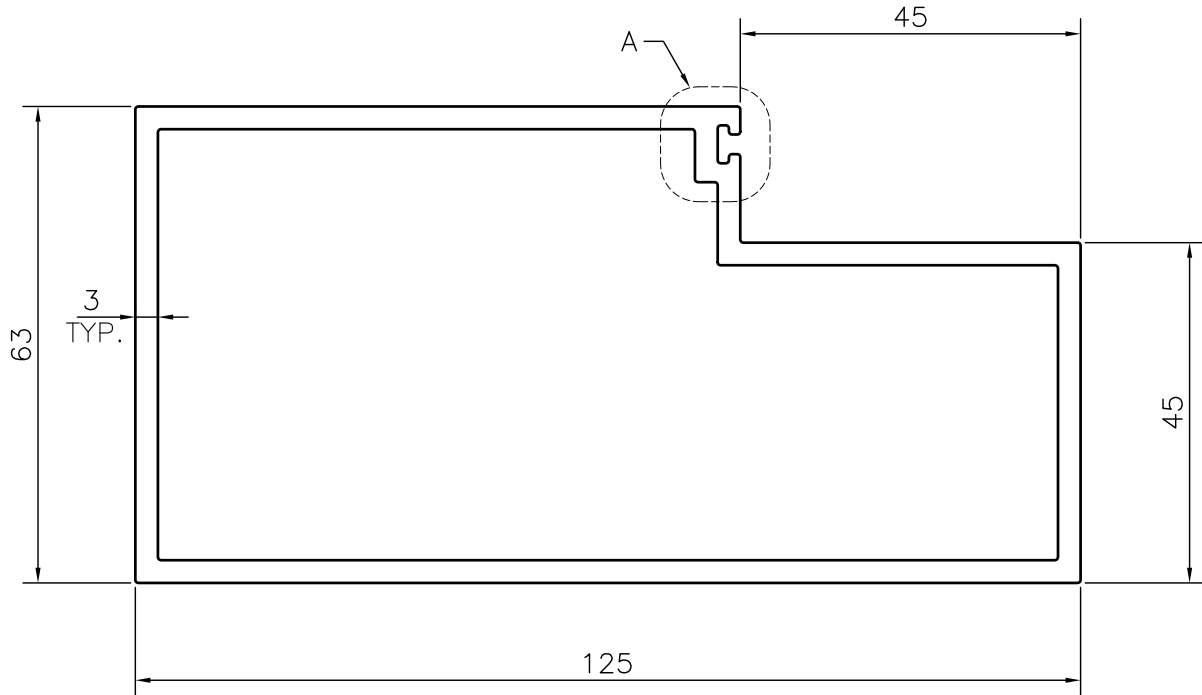


P-JAL-B-310-2

G101385



DETAIL A  
SCALE 2:1

1. STRAIGHTNESS= 1.7mm/M
2. TWIST= 1.7mm/M
3. ANGULARITY=  $\pm 2^\circ$
4. FLATNESS= 0.007xWIDTH

Q00794

CONTROLLED COPY



SYMBOL OF QUALITY  
AN ISO 9001 COMPANY

**JINDAL ALUMINIUM LTD.**  
BHIWADI-301019 (INDIA)

	NAME	DATE
DRAWN	ASHUTOSH	08-09-2023
CHECKED	PARVESH	27-09-2023
APPROVED	J.N RAI	27-09-2023
SCALE		1:1
AREA mm <sup>2</sup>		1101.6
PERIMETER mm.		386.396
WEIGHT kg/m		2.974
DRAWING No.		SECTION No.
P-JAL-B-310-2		7000001533
G101385		G101385

1. ALL DIMENSIONS ARE IN mm.
2. ROUND OFF ALL SHARP CORNERS WITH 0.40 mm.
3. TOLERANCES WILL BE AS PER BS:EN-755-9 , UNLESS OTHERWISE SPECIFIED

PARTY'S NAME	BR INTERIORS, DELHI	
PARTY'S DRAWING No.	AS PER DRAWING	
ALLOY & TEMPER	6063 T6	PRODUCT CODE:-045
		HSN CODE:- 76042100
DESCRIPTION	DOOR SECTION	