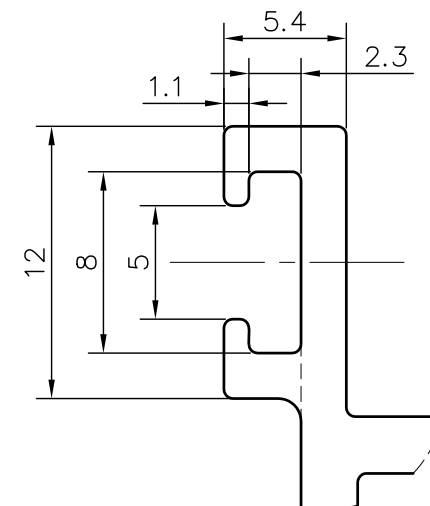


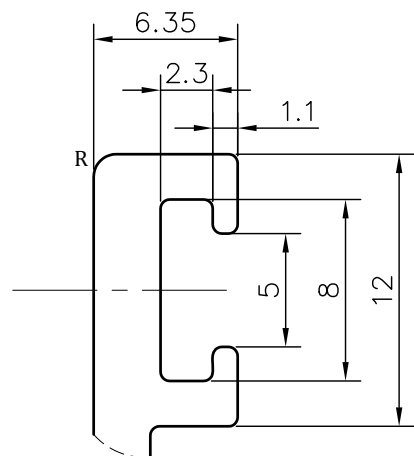
DETAIL C  
SCALE 3:1



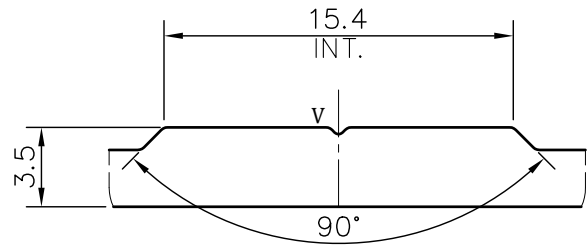
DETAIL D  
SCALE 3:1

TOLERANCE ON THICKNESS 2.25 <sup>+0.3</sup>/<sub>-0.2</sub>

THICKNESS LESS THEN 2mm WILL NOT BE ACCEPTED



DETAIL A  
SCALE 3:1



DETAIL B  
SCALE 3:1

**NOTE:-**  
**R= 1.0 RADIUS (7 PLACES)**  
**F= FULL RADIUS (1 PLACE)**  
**V= 0.3x90° V-GRROVE (4 PLACES)**

1. STRAIGHTNESS= 1.7mm/M
2. TWIST= 1.7mm/M
3. ANGULARITY= ±2°
4. FLATNESS= 0.007xWIDTH

(Q00752)

<p>SYMBOL OF QUALITY AN ISO 9001 COMPANY</p>	<p><b>JINDAL ALUMINIUM LTD.</b> BHIWADI-301019 (INDIA)</p>	NAME	DATE
		DRAWN	ASHUTOSH 01-08-2023
<p>1. ALL DIMENSIONS ARE IN mm. 2. ROUND OFF ALL SHARP CORNERS WITH 0.40 mm. 3. TOLERANCES WILL BE AS PER BS:EN-755-9 , UNLESS OTHERWISE SPECIFIED</p>	<p>PARTY'S NAME</p>	CHECKED	PARVESH 11-10-2023
		AASTHA ALUMINA (P) LTD., GURGAON	APPROVED
<p>PARTY'S DRAWING No.</p>	<p>AS PER AUTOCAD DRAWING-AA-FM-AL-02</p>	SCALE	1:1
		ALLOY & TEMPER	6063 T6
<p>DESCRIPTION</p>	<p>CURTAIN WALL SECTION-FEMALE MULLION</p>	PERIMETER mm.	573.89
		DRAWING No.	SECTION No.
		P-JAL-B-283-1	7000001621
		G101468	G101468