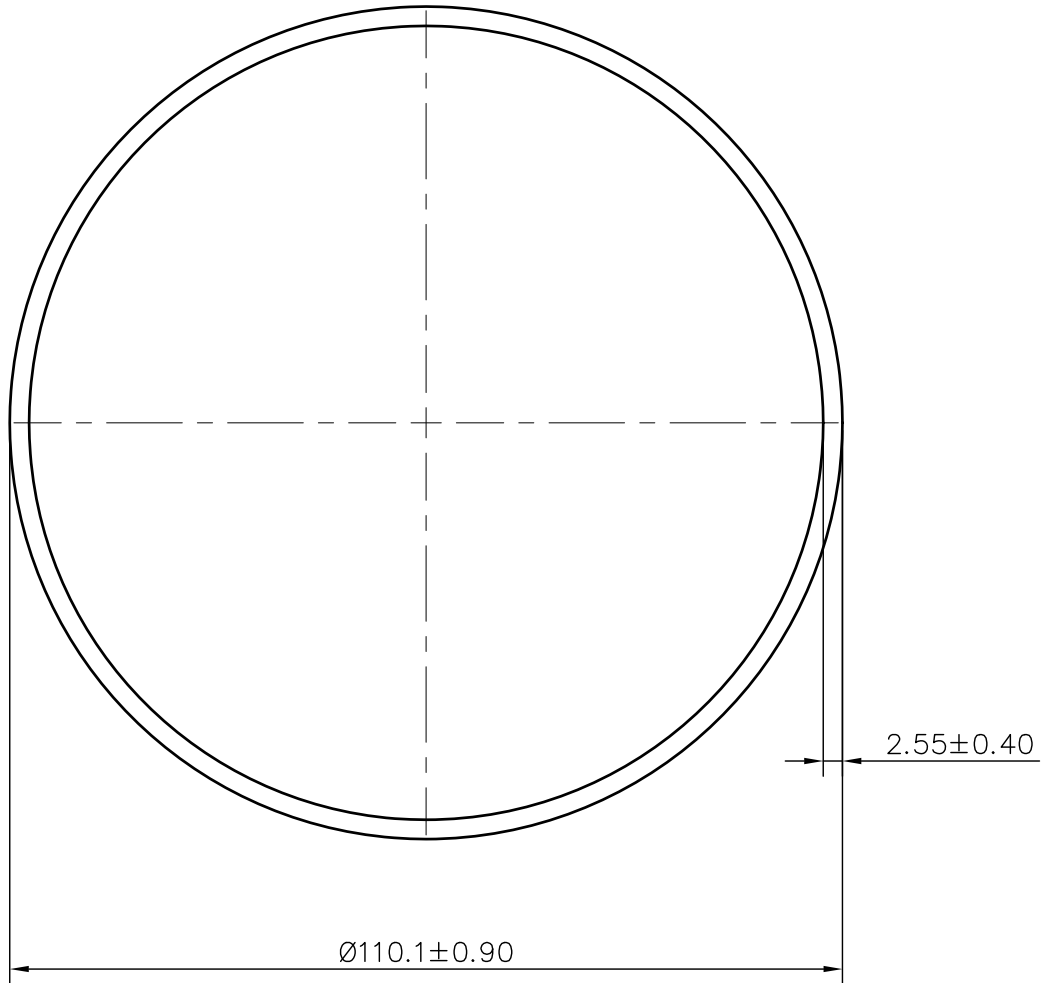


P-JAL-B-221-1

G101574



- 1. STRAIGHTNESS= 1.7mm/M
- 2. TWIST= 1.7mm/M
- 3. ANGULARITY= $\pm 2^\circ$
- 4. FLATNESS= 0.007xWIDTH

(Q00570)



SYMBOL OF QUALITY
AN ISO 9001 COMPANY

JINDAL ALUMINIUM LTD.
BHIWADI-301019 (INDIA)

	NAME	DATE
DRAWN	ASHUTOSH	04-10-2023
CHECKED	PARVESH	04-11-2023
APPROVED	J.N.RAI	04-11-2023

- 1. ALL DIMENSIONS ARE IN mm.
- 2. ROUND OFF ALL SHARP CORNERS WITH 0.40 mm.
- 3. TOLERANCES WILL BE AS PER BS:EN-755-8 , UNLESS OTHERWISE SPECIFIED

SCALE	1:1
AREA mm ²	861.59
PERIMETER mm.	345.89
WEIGHT kg/m	2.326

PARTY'S NAME	SHIFTAIR INDIA PVT. LTD.		DRAWING No.	SECTION No.
PARTY'S DRAWING No.	AS PER DRAWING		P-JAL-B-221-1	7000001738
ALLOY & TEMPER	6063 T6	PRODUCT CODE: -006	G101574	G101574
		HSN CODE: - 76082000		
DESCRIPTION	ROUND TUBE			