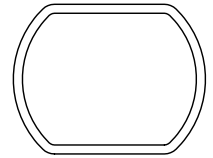
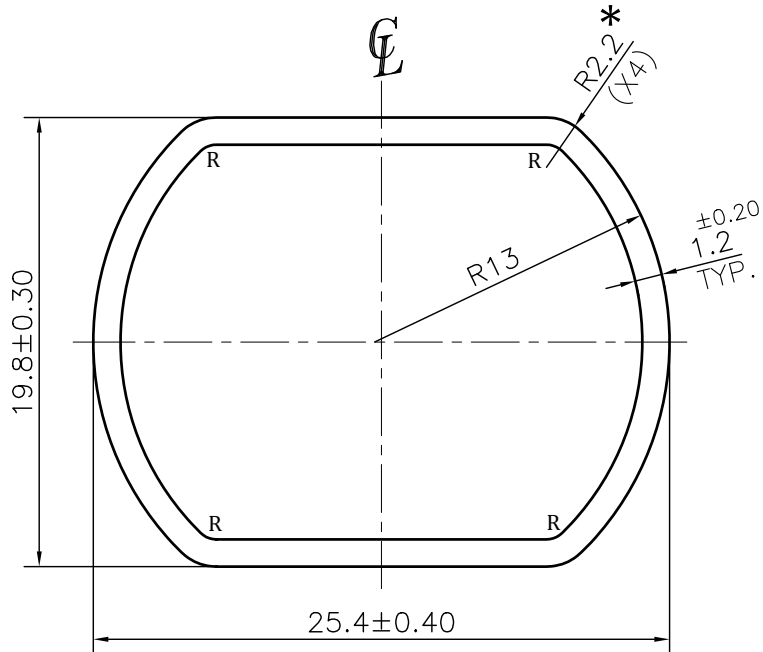


P-JAL-B-356

G101589



SCALE 1:1



**NOTE:-**

**R= 1.0 RADIUS (4 PLACES)**

1. STRAIGHTNESS= 1.7mm/M
2. TWIST= 1.7mm/M
3. ANGULARITY= ±2°
4. FLATNESS= 0.007xWIDTH

Q00953

CONTROLLED COPY



SYMBOL OF QUALITY  
AN ISO 9001 COMPANY

**JINDAL ALUMINIUM LTD.**  
BHIWADI-301019 (INDIA)

	NAME	DATE
DRAWN	AMIT	20-10-2023
CHECKED	PARVESH	23-11-2023
APPROVED	J.N.RAI	23-11-2023
SCALE		3:1
AREA mm <sup>2</sup>		88.120
PERIMETER mm.		77.203
WEIGHT kg/m		0.238
DRAWING No.	SECTION No.	
P-JAL-B-356	7000001752	
G101589	G101589	

1. ALL DIMENSIONS ARE IN mm.
2. ROUND OFF ALL SHARP CORNERS WITH 0.40 mm.
3. TOLERANCES WILL BE AS PER BS:EN-755-9 , UNLESS OTHERWISE SPECIFIED

PARTY'S NAME	FALCON GARDEN TOOLS, LUDHIANA	
PARTY'S DRAWING No.	AS PER DRAWING	
ALLOY & TEMPER	6063 T6	PRODUCT CODE:-013
		HSN CODE:- 76042100
DESCRIPTION	MISCELLANEOUS TUBE	