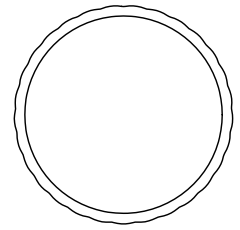
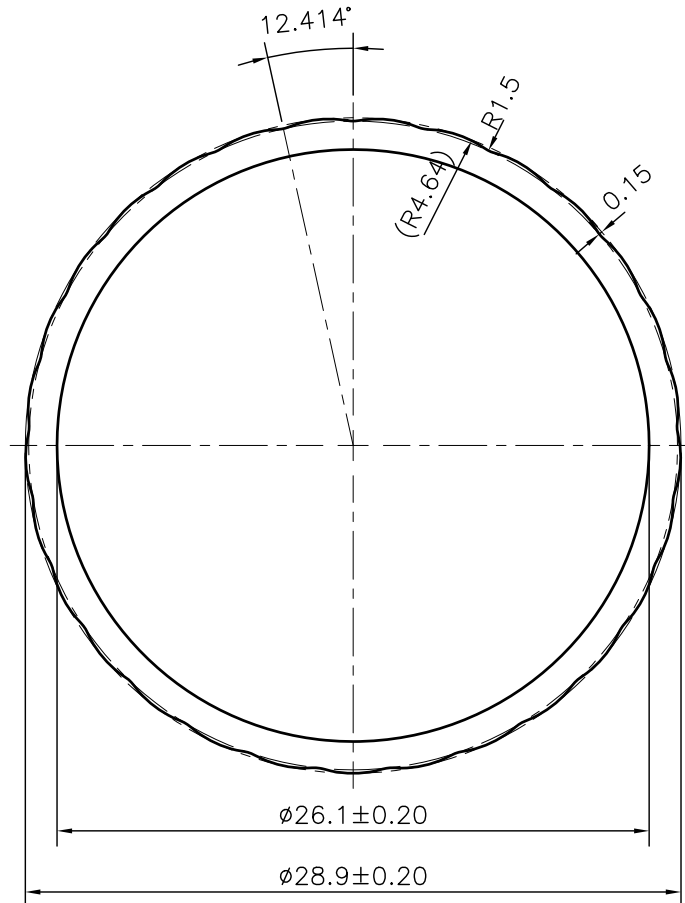


P-26192-1

G101639



SCALE:- 1:1



29 FLUTES

ISSUE-2 (01-02-2024)

\* Flute shape changed



SYMBOL OF QUALITY  
AN ISO 9001 COMPANY

**JINDAL ALUMINIUM LTD.**  
BANGALORE-560073 (INDIA)

	NAME	DATE
DRAWN	ASHUTOSH	01-02-2024
CHECKED	PARVESH	03-02-2024
APPROVED	J.N.RAI	03-02-2024

1. ALL DIMENSIONS ARE IN mm.
2. ROUND OFF ALL SHARP CORNERS WITH 0.40 mm.
3. TOLERANCES WILL BE AS PER IS:6477-1983, UNLESS OTHERWISE SPECIFIED

SCALE	3:1
AREA mm <sup>2</sup>	115.673
PERIMETER mm.	90.983
WEIGHT kg/m	0.312

PARTY'S NAME	UNGER INDIA PVT. LTD., GURGAON	
PARTY'S DRAWING No.	AS PER SAMPLE	
ALLOY & TEMPER	6063 T6	PRODUCT CODE:-011
		HSN CODE:-76042100
DESCRIPTION	FLUTED ROUND TUBE	

DRAWING No.	SECTION No.
P-26192-1	7000001802
G101639-ISSUE-2	G101639