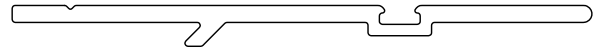
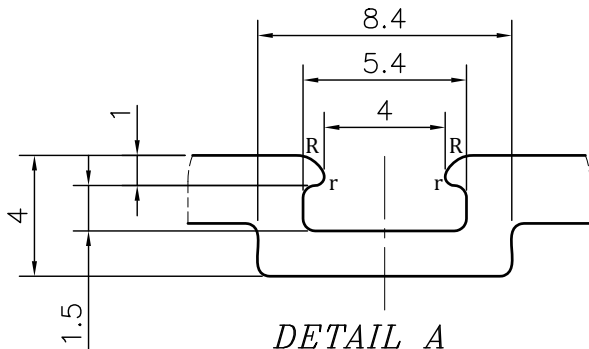
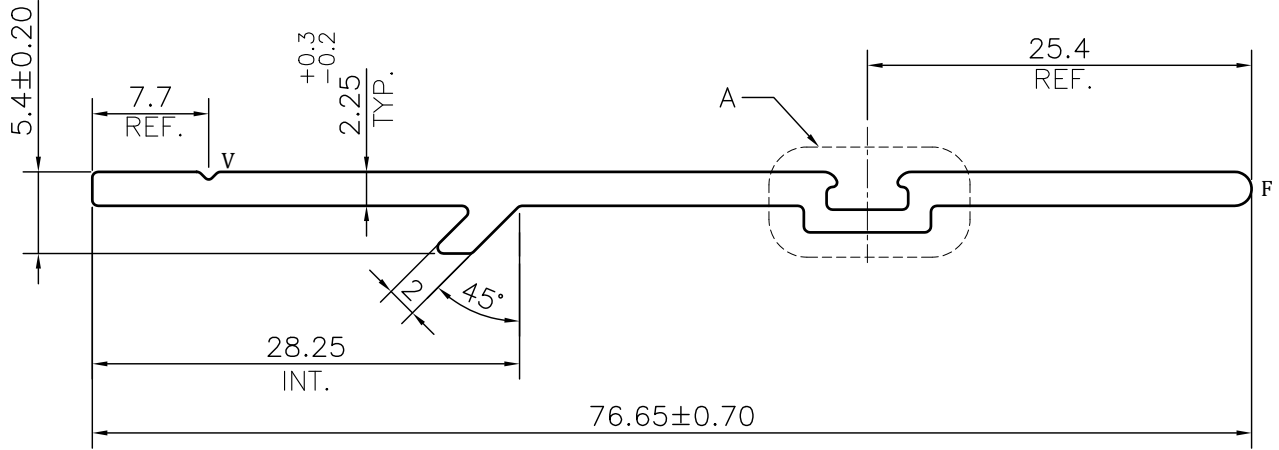


P-JAL-B-340-1

G101642



SCALE 1:1



DETAIL A
SCALE 4:1

☞ **THICKNESS LESS THEN 2mm WILL NOT BE ACCEPTED**

NOTE:-
r= 0.30 RADIUS (2 PLACES)
R= 1.0 RADIUS (2 PLACES)
F= FULL RADIUS (1 PLACE)
V= 0.5x90° V-GROOVE (1 PLACE)

1. STRAIGHTNESS= 1.7mm/M
2. TWIST= 1.7mm/M
3. ANGULARITY= ±2°
4. FLATNESS= 0.007xWIDTH

Q00948

CONTROLLED COPY



SYMBOL OF QUALITY
AN ISO 9001 COMPANY

JINDAL ALUMINIUM LTD.
 BHIWADI-301019 (INDIA)

	NAME	DATE
DRAWN	ASHUTOSH	06-10-2023
CHECKED	PARVESH	04-12-2023
APPROVED	R.G.PAREKH	04-12-2023

1. ALL DIMENSIONS ARE IN mm.
2. ROUND OFF ALL SHARP CORNERS WITH 0.40 mm.
3. TOLERANCES WILL BE AS PER BS:EN-755-9 , UNLESS OTHERWISE SPECIFIED

SCALE	2:1
AREA mm ²	182.754
PERIMETER mm.	172.67
WEIGHT kg/m	0.493

PARTY'S NAME	AASTHA ALUMINA (P) LIMITED., GURUGRAM	DRAWING No.	P-JAL-B-340-1	SECTION No.	7000001786
PARTY'S DRAWING No.	AS PER DRAWING		G101642		G101642
ALLOY & TEMPER	6063 T6	PRODUCT CODE:-055			
		HSN CODE:- 76042990			
DESCRIPTION	CURTAIN WALL SECTION				