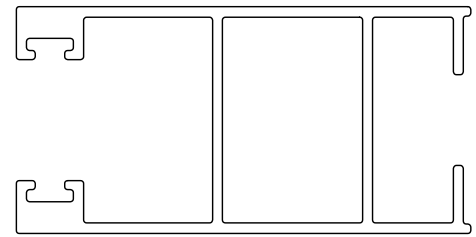
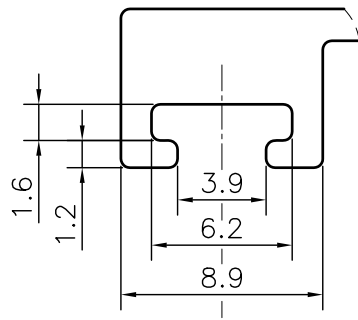


P-JAL-B-411

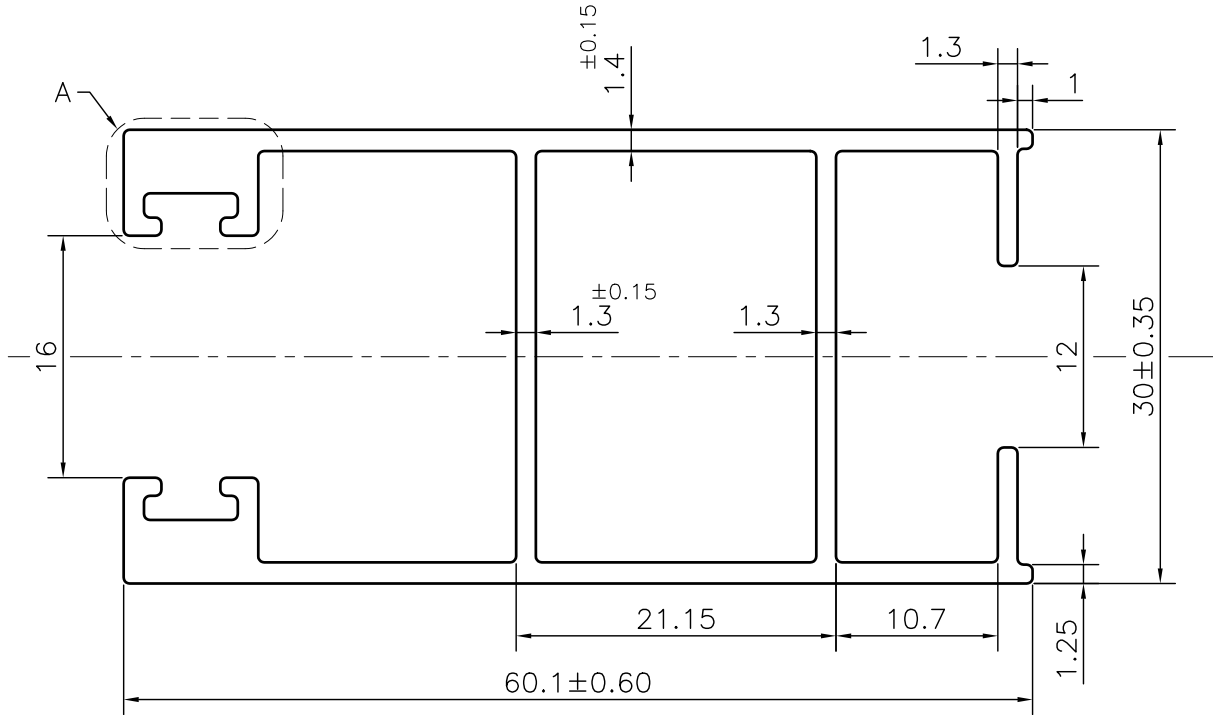
G101751



SCALE 1:1



DETAIL A  
SCALE 3:1



1. STRAIGHTNESS= 1.7mm/M
2. TWIST= 1.7mm/M
3. ANGULARITY=  $\pm 2^\circ$
4. FLATNESS= 0.007xWIDTH

Q01176

CONTROLLED COPY



SYMBOL OF QUALITY  
AN ISO 9001 COMPANY

**JINDAL ALUMINIUM LTD.**  
BHIWADI-301019 (INDIA)

	NAME	DATE
DRAWN	ASHUTOSH	14-12-2023
CHECKED	PARVESH	28-12-2023
APPROVED	J.N.RAI	28-12-2023
SCALE		2:1
AREA mm <sup>2</sup>		328.94
PERIMETER mm.		324.433
WEIGHT kg/m		0.888
DRAWING No.		SECTION No.
P-JAL-B-411		7000001917
G101751		G101751

1. ALL DIMENSIONS ARE IN mm.
2. ROUND OFF ALL SHARP CORNERS WITH 0.40 mm.
3. TOLERANCES WILL BE AS PER BS:EN-755-9 , UNLESS OTHERWISE SPECIFIED

PARTY'S NAME	AASTHA ALUMINA (P) LIMITED., GURUGRAM	
PARTY'S DRAWING No.	AS PER DRAWING	
ALLOY & TEMPER	6063 T6	PRODUCT CODE:-048
		HSN CODE:- 76042100
DESCRIPTION	WINDOW SECTION	