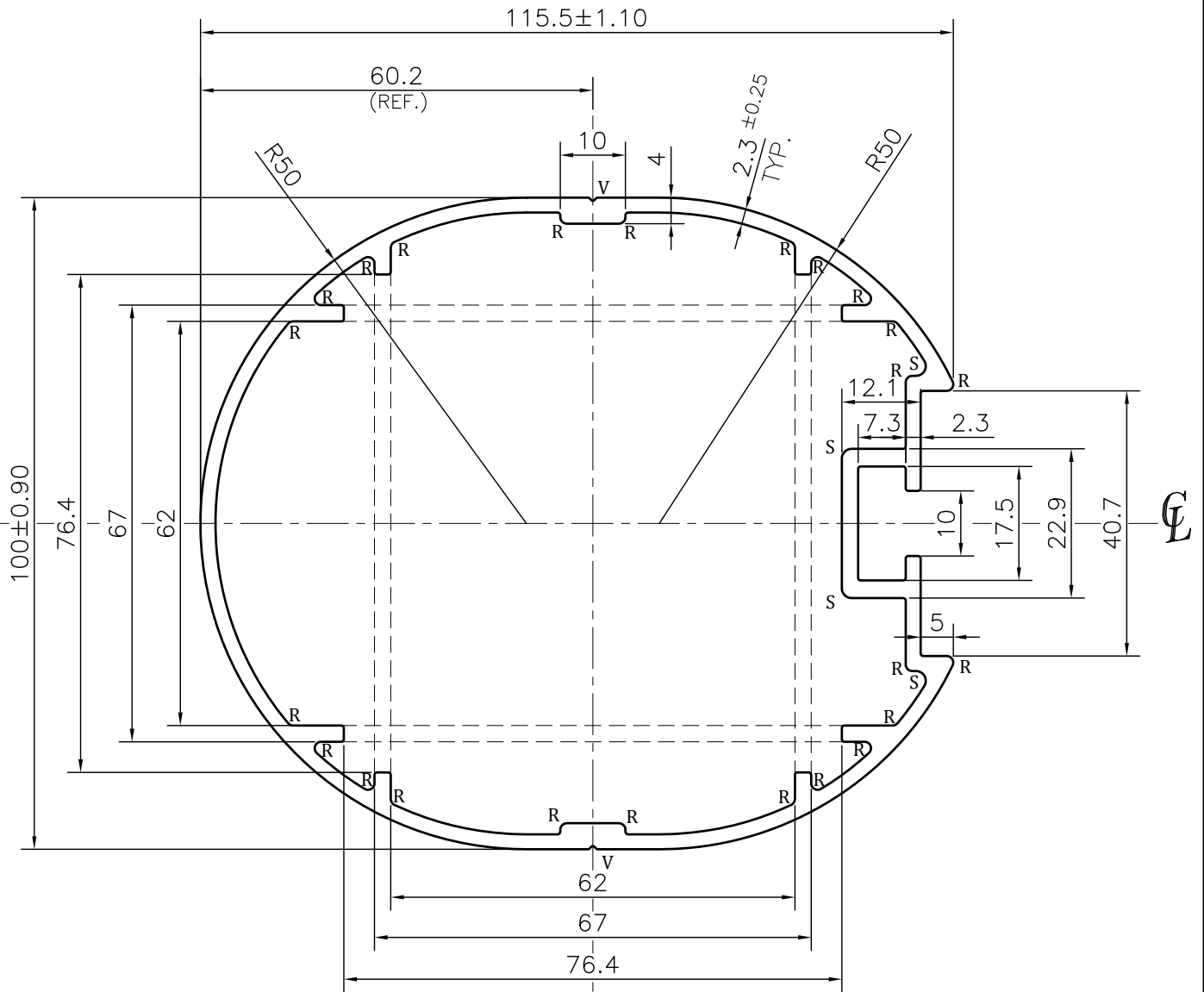


P-JAL-B-435

G101817



NOTE:-

R= 1.0 RADIUS (24 PLACES)

S= 1.50 RADIUS (4 PLACES)

V= 0.50x90° V-GROOVE (2 PLACES)

1. STRAIGHTNESS= 1.7mm/M
2. TWIST= 1.7mm/M
3. ANGULARITY= ±2°
4. FLATNESS= 0.007xWIDTH

Q01080

CONTROLLED COPY



SYMBOL OF QUALITY
AN ISO 9001 COMPANY

JINDAL ALUMINIUM LTD.
BHIWADI-301019 (INDIA)

	NAME	DATE
DRAWN	ASHUTOSH	13-01-2024
CHECKED	PARVESH	20-01-2024
APPROVED	J.N.RAI	20-01-2024

1. ALL DIMENSIONS ARE IN mm.
2. ROUND OFF ALL SHARP CORNERS WITH 0.40 mm.
3. TOLERANCES WILL BE AS PER BS:EN-755-9 , UNLESS OTHERWISE SPECIFIED

SCALE	1:1
AREA mm ²	1045.815
PERIMETER mm.	395.802
WEIGHT kg/m	2.824

PARTY'S NAME	SPORTS & SPORTS INTERNATIONAL, MEERUT	
PARTY'S DRAWING No.	AS PER SAMPLE	
ALLOY & TEMPER	6063 T6	PRODUCT CODE:-085
		HSN CODE:- 76042100
DESCRIPTION	INDUSTRIAL SECTION	

DRAWING No.	SECTION No.
P-JAL-B-435	7000001978
G101817	G101817