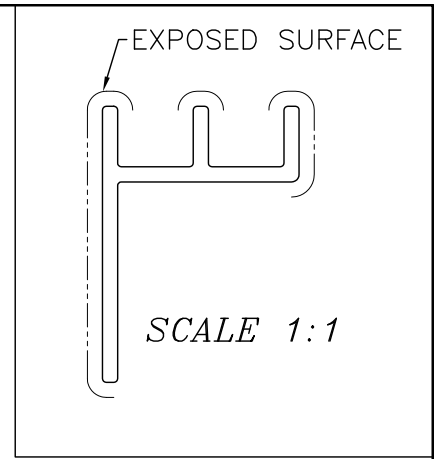
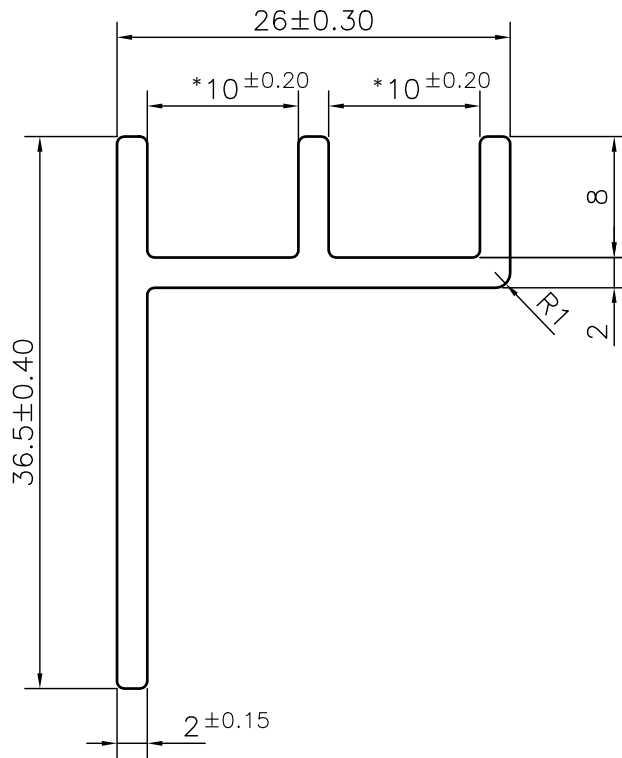


P-JAL-B-471-1

G102456



NOTE:-

***= IMPORTANT DIMENSION (2 PLACES)**

- ☞ REMOVAL ALL SHARP CORNER/EDGES
- ☞ ROUND OFF ALL SHARP CORNERS WITH 0.50 mm.

TOLERANCE CHART CD = CIRCUMSCRIBING CIRCLE

DIMENSION	CD<100	100<CD<200	200<CD<300	300<CD<500
UPTO 10mm	±0.25	±0.30	±0.35	±0.40
10.0 -25.0	±0.30	±0.40	±0.50	±0.60
25.0 -50.0	±0.50	±0.60	±0.80	±0.90
50.0 -100	±0.70	±0.90	±1.10	±1.30
100 - 150	-	±1.10	±1.30	±1.50
150 - 200	-	±1.3	±1.50	±1.80
200 - 300	-	-	±1.70	±2.10
300 - 450	-	-	-	±2.80

Q01399

CONTROLLED COPY

1. STRAIGHTNESS= 1.5mm/M
2. TWIST= 1.5mm/M
3. ANGULARITY= ±2°
4. FLATNESS= 0.007xWIDTH



SYMBOL OF QUALITY
AN ISO 9001 COMPANY

JINDAL ALUMINIUM LTD.
BHIWADI-301019 (INDIA)

	NAME	DATE
DRAWN	ASHUTOSH	10-05-2024
CHECKED	PARVESH	04-07-2024
APPROVED	N.K.HOLEY	04-07-2024

1. ALL DIMENSIONS ARE IN mm.
2. ROUND OFF ALL SHARP CORNERS WITH 0.50 mm.
3. TOLERANCES WILL BE AS PER BS:EN-755-9 , UNLESS OTHERWISE SPECIFIED

SCALE	2:1
AREA mm ²	152.624
PERIMETER mm.	153.78
WEIGHT kg/m	0.412

PARTY'S NAME	WIDNEY INDIA PVT. LTD., BALLABGARH	
PARTY'S DRAWING No.	AS PER AUTOCAD DRAWING -29/68142	
ALLOY & TEMPER	6063 T4	PRODUCT CODE:-069
		HSN CODE:- 76042990
DESCRIPTION	BUS WINDOW GUIDE FRAME SECTION-(FRAME EXTRUSION)	

DRAWING No.	SECTION No.
P-JAL-B-471-1	7000002636
G102456	G102456