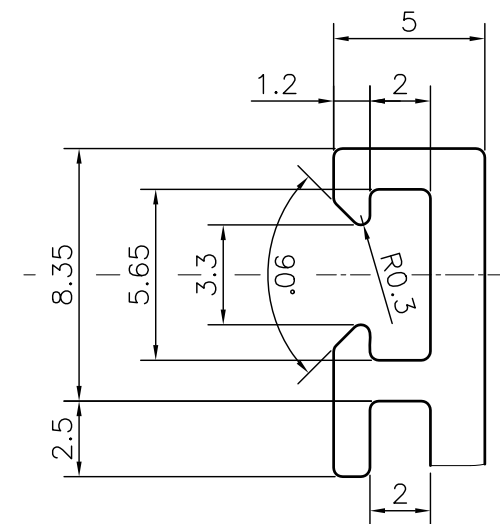
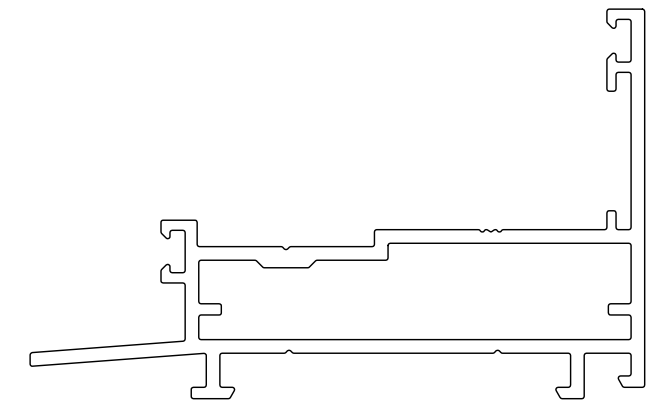
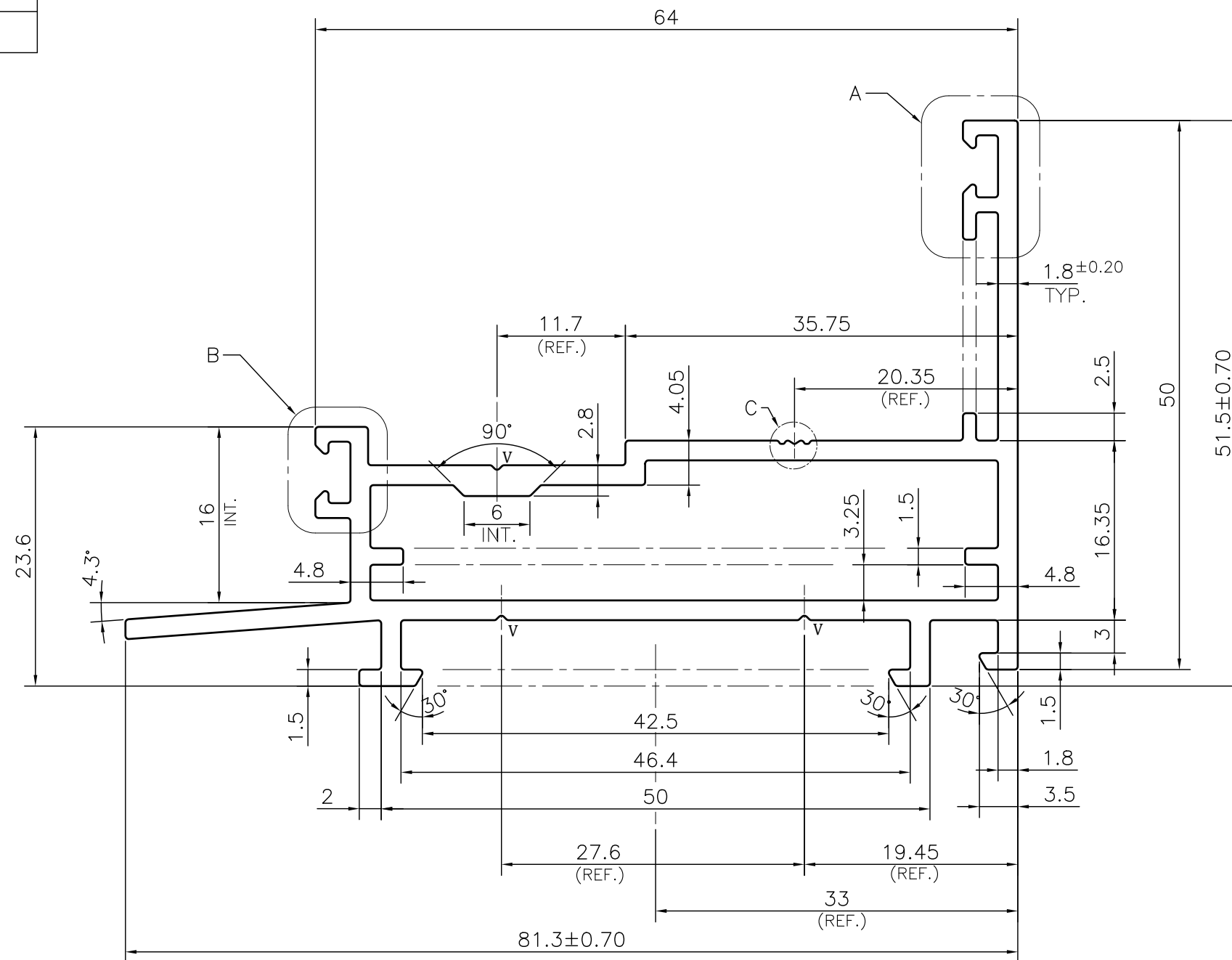


P-JAL-B-661

G102605

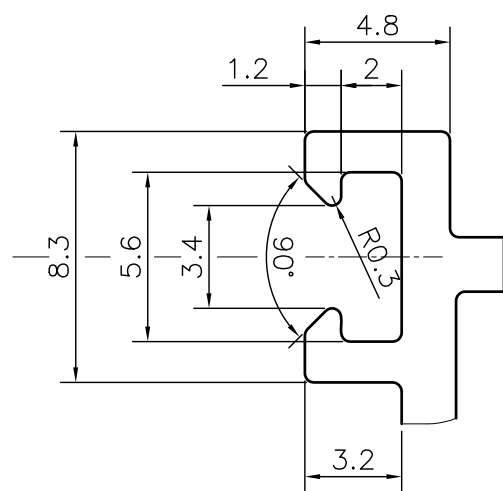


DETAIL A
SCALE 4:1

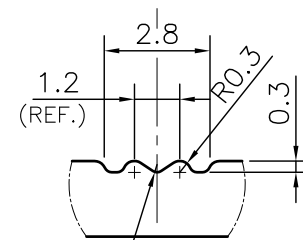
NOTE:-
V = 0.4x90° V-GROOVE (3 PLACES)

ROUND OFF ALL SHARP CORNERS WITH 0.30 mm.

1. STRAIGHTNESS= 1.7mm/M
2. TWIST= 1.7mm/M
3. ANGULARITY= ±2°
4. FLATNESS= 0.007xWIDTH



DETAIL B
SCALE 4:1



DETAIL C
SCALE 5:1

TOLERANCE CHART CD = CIRCUMSCRIBING CIRCLE

DIMENSION	CD ≤ 100	100 < CD ≤ 200	200 < CD ≤ 300	300 < CD ≤ 500
UPTO 10mm	±0.25	±0.30	±0.35	±0.40
10.0 - 25.0	±0.30	±0.40	±0.50	±0.60
25.0 - 50.0	±0.50	±0.60	±0.80	±0.90
50.0 - 100	±0.70	±0.90	±1.10	±1.30
100 - 150	-	±1.10	±1.30	±1.50
150 - 200	-	±1.3	±1.50	±1.80
200 - 300	-	-	±1.70	±2.10
300 - 450	-	-	-	±2.80

Q02068

CONTROLLED COPY



SYMBOL OF QUALITY
AN ISO 9001 COMPANY

JINDAL ALUMINIUM LTD.
BHIWADI-301019 (INDIA)

1. ALL DIMENSIONS ARE IN mm.
2. ROUND OFF ALL SHARP CORNERS WITH 0.30 mm.
3. TOLERANCES WILL BE AS PER BS:EN-755-9 , UNLESS OTHERWISE SPECIFIED

PARTY'S NAME K.S.V. INFRABUILD GREATER NOIDA

PARTY'S DRAWING No. AS PER DRAWING - KSV_OPUS_09

ALLOY & TEMPER 6063 T6

PRODUCT CODE:-055
HSN CODE:- 76042100

DESCRIPTION CURTAIN WALL SECTION

	NAME	DATE
DRAWN	ASHUTOSH	24-07-2024
CHECKED	PARVESH	05-08-2024
APPROVED	J.N.RAI	05-08-2024
SCALE	2:1	
AREA	mm ²	442.508
PERIMETER	mm.	345.545
WEIGHT	kg/m	1.195
DRAWING No.	SECTION No.	
P-JAL-B-661	7000002778	
G102605	G102605	