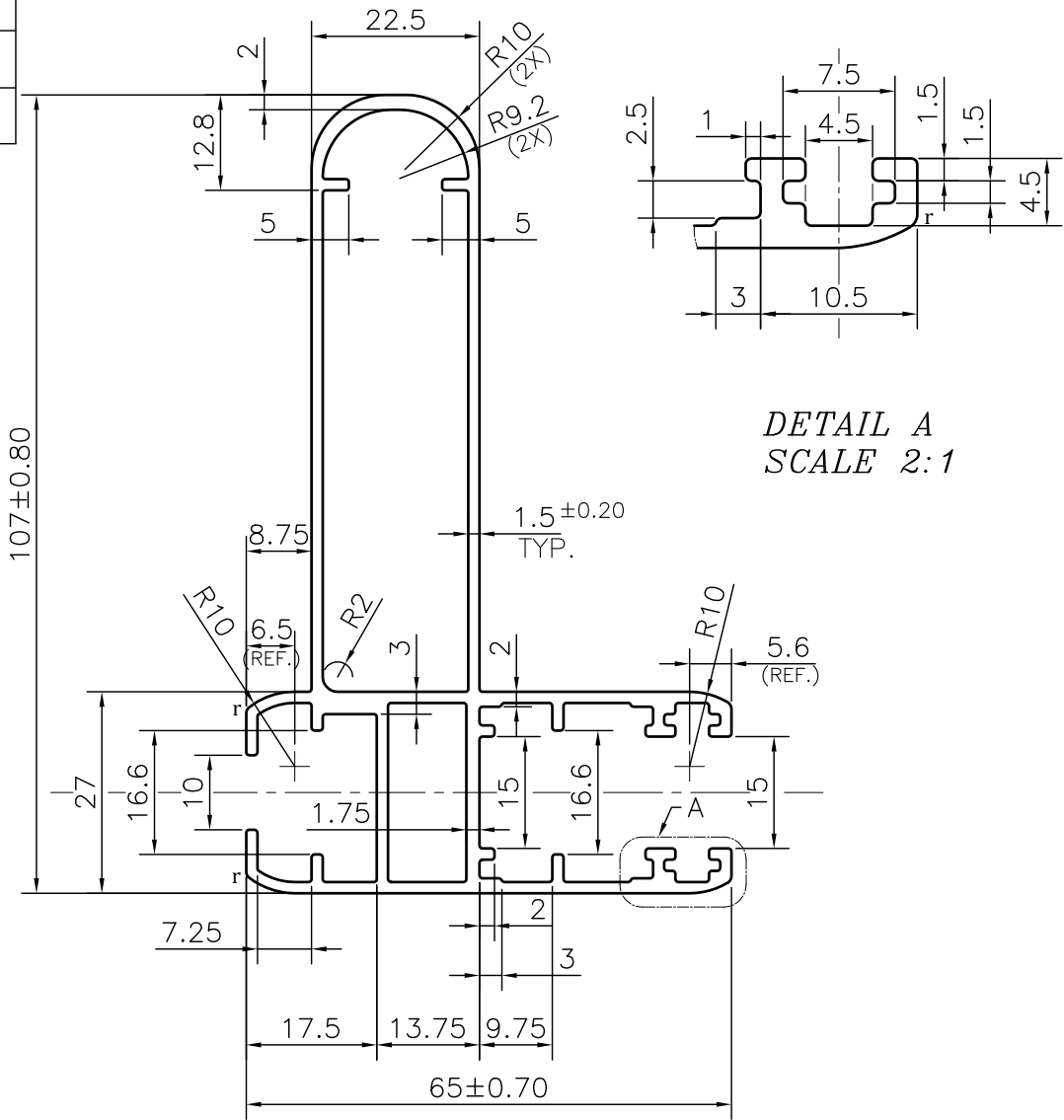


P-JAL-B-459-1
G102707



DETAIL A
SCALE 2:1

NOTE:-
r= 1.0 RADIUS (4 PLACES)

TOLERANCE CHART CD = CIRCUMSCRIBING CIRCLE

DIMENSION	CD<100	100<CD<200	200<CD<300	300<CD<500
UP TO 10mm	±0.25	±0.30	±0.35	±0.40
10.0 - 25.0	±0.30	±0.40	±0.50	±0.60
25.0 - 50.0	±0.50	±0.60	±0.80	±0.90
50.0 - 100	±0.70	±0.90	±1.10	±1.30
100 - 150	-	±1.10	±1.30	±1.50
150 - 200	-	±1.3	±1.50	±1.80
200 - 300	-	-	±1.70	±2.10
300 - 450	-	-	-	±2.80

Q01440

CONTROLLED COPY

1. STRAIGHTNESS= 1.7mm/M
2. TWIST= 1.7mm/M
3. ANGULARITY= ±2°
4. FLATNESS= 0.007xWIDTH



SYMBOL OF QUALITY
AN ISO 9001 COMPANY

JINDAL ALUMINIUM LTD.
BHIWADI-301019 (INDIA)

	NAME	DATE
DRAWN	ASHUTOSH	15-05-2024
CHECKED	PARVESH	30-08-2024
APPROVED	J.N.RAI	30-08-2024

1. ALL DIMENSIONS ARE IN mm.
2. ROUND OFF ALL SHARP CORNERS WITH 0.40 mm.
3. TOLERANCES WILL BE AS PER BS:EN-755-9 , UNLESS OTHERWISE SPECIFIED

SCALE	1:1
AREA mm ²	659.991
PERIMETER mm.	530.34
WEIGHT kg/m	1.782
DRAWING No.	SECTION No.

PARTY'S NAME	AHLUWALIA CONTRACT LTD., DELHI	
PARTY'S DRAWING No.	AS PER DRAWING-DOOR SHUTTER FLOOR (1-20)	
ALLOY & TEMPER	6063 T6	PRODUCT CODE:-048
		HSN CODE:- 76042100
DESCRIPTION	WINDOW SECTION-DOOR SHUTTER	

P-JAL-B-459-1	7000002909
G102707	G102707