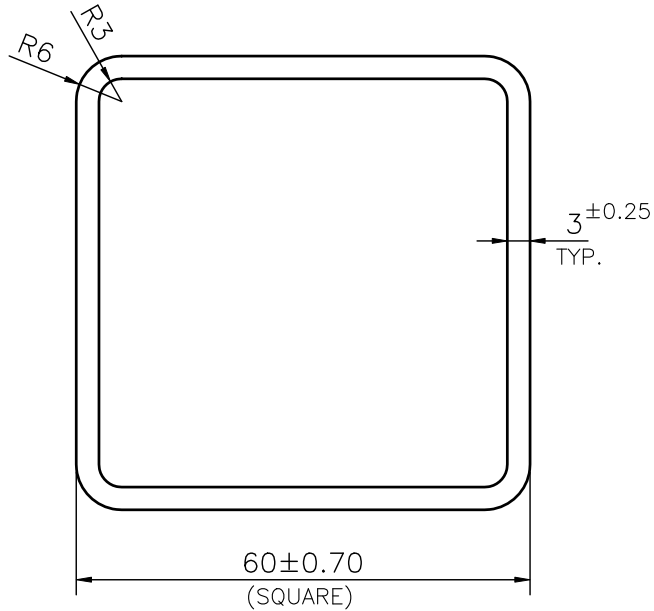


P-JAL-B-914

G103525



1. STRAIGHTNESS= 1.7mm/M
2. TWIST= 1.7mm/M
3. ANGULARITY=  $\pm 2^\circ$
4. FLATNESS= 0.007xWIDTH

Q02936

CONTROLLED COPY



SYMBOL OF QUALITY  
AN ISO 9001 COMPANY

**JINDAL ALUMINIUM LTD.**  
BHIWADI-301019 (INDIA)

	NAME	DATE
DRAWN	ASHUTOSH	28-01-2025
CHECKED	PARVESH	05-02-2025
APPROVED	J.N.RAI	05-02-2025
SCALE		1:1
AREA mm <sup>2</sup>		660.823
PERIMETER mm.		229.699
WEIGHT kg/m		1.784
DRAWING No.		SECTION No.
P-JAL-B-914		7000003754
G103525		G103525

1. ALL DIMENSIONS ARE IN mm.
2. ROUND OFF ALL SHARP CORNERS WITH 0.40 mm.
3. TOLERANCES WILL BE AS PER BS:EN-755-8 , UNLESS OTHERWISE SPECIFIED

PARTY'S NAME	PRECISION ELECTRONIC LTD., NOIDA	
PARTY'S DRAWING No.	AS PER DRAWING (PMAS-N2240974-995)	
ALLOY & TEMPER	6063 T6	PRODUCT CODE:-009
		HSN CODE:- 76082000
DESCRIPTION	SQUARE TUBE	