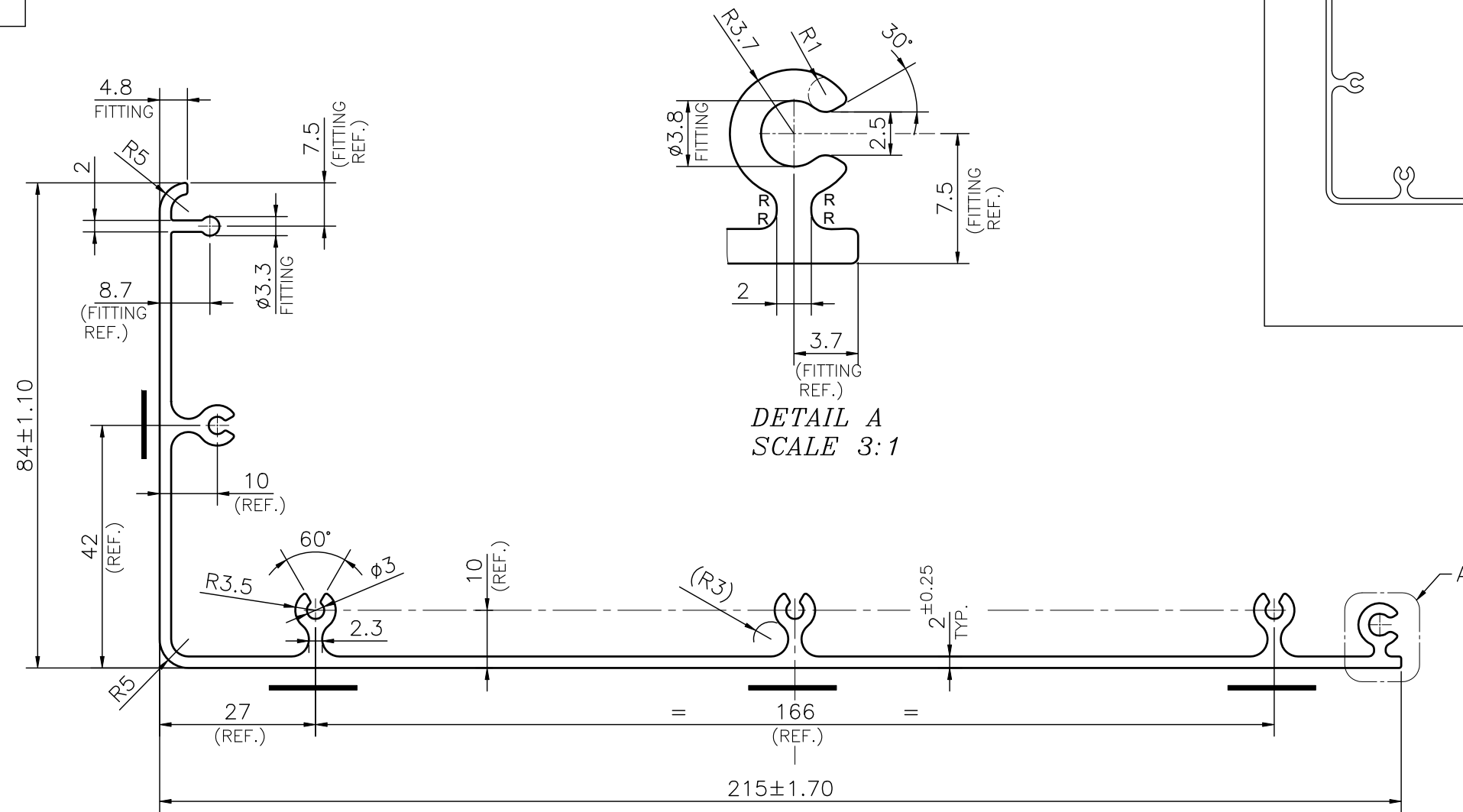


P-JAL-B-922-1

G103601




PLEASE NOTE:-  
 — DUE TO THICKNESS VARIATION IMPRESSION MARK MAY APPEAR IN THIS MARKED PORTION.

NOTE:-  
 R= 1.0 RADIUS (4 PLACES)

1. STRAIGHTNESS= 1.7mm/M
2. TWIST= 1.7mm/M
3. ANGULARITY= ±2°
4. FLATNESS= 0.007xWIDTH

Q02983

CONTROLLED COPY

 SYMBOL OF QUALITY AN ISO 9001 COMPANY	<b>JINDAL ALUMINIUM LTD.</b> BHIWADI-301019 (INDIA)		NAME	DATE	
			DRAWN	ASHUTOSH	31-01-2025
1. ALL DIMENSIONS ARE IN mm. 2. ROUND OFF ALL SHARP CORNERS WITH 0.40 mm. 3. TOLERANCES WILL BE AS PER BS:EN-755-9 , UNLESS OTHERWISE SPECIFIED			CHECKED	PARVESH	27-02-2025
			APPROVED	J.N.RAI	27-02-2025
PARTY'S NAME EKYO MODULAR PVT LTD., JAIPUR			SCALE		1:1
			AREA mm <sup>2</sup>		806.552
PARTY'S DRAWING No. AS PER CAD & PROPOSAL DRAWING			PERIMETER mm.		767.49
			WEIGHT kg/m		2.178
ALLOY & TEMPER 6063 T6			DRAWING No.		SECTION No.
			P-JAL-B-922-1		7000003845
DESCRIPTION MODULAR SECTION			G103601		G103601
			PRODUCT CODE:-051		
			HSN CODE:- 76042990		