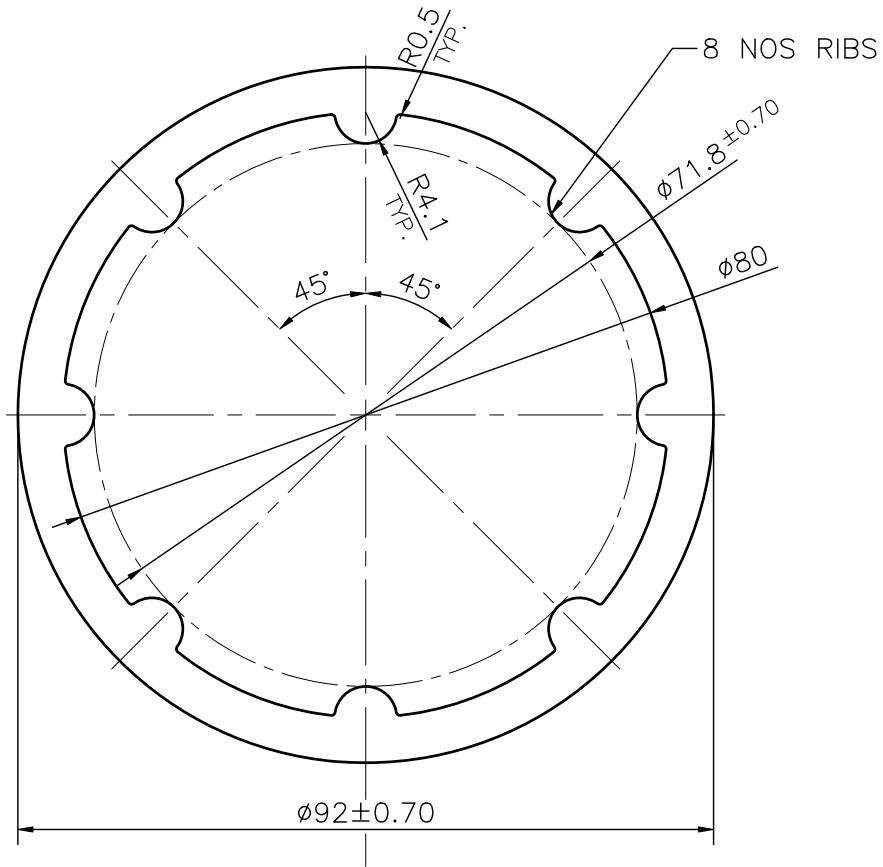


P-JAL-B-907-1

G103622



1. STRAIGHTNESS= 1.7mm/M
2. TWIST= 1.7mm/M
3. ANGULARITY= $\pm 2^\circ$
4. FLATNESS= 0.007xWIDTH

Q03031

CONTROLLED COPY



SYMBOL OF QUALITY
AN ISO 9001 COMPANY

JINDAL ALUMINIUM LTD.
BHIWADI-301019 (INDIA)

	NAME	DATE
DRAWN	ASHUTOSH	19-02-2025
CHECKED	PARVESH	03-03-2025
APPROVED	J.N.RAI	03-03-2025

1. ALL DIMENSIONS ARE IN mm.
2. ROUND OFF ALL SHARP CORNERS WITH 0.50 mm.
3. TOLERANCES WILL BE AS PER BS:EN-755-9 , UNLESS OTHERWISE SPECIFIED

SCALE	1:1
AREA mm ²	1828.529
PERIMETER mm.	289.027
WEIGHT kg/m	4.937

PARTY'S NAME	UFLEX LIMITED, NOIDA		DRAWING No.	SECTION No.
PARTY'S DRAWING No.	AS PER DRAWING SPA-7133		P-JAL-B-907-1	7000003862
ALLOY & TEMPER	6063 T6	PRODUCT CODE:-085	G103622	G103622
		HSN CODE:- 76042100		
DESCRIPTION	PULLEY SECTION			