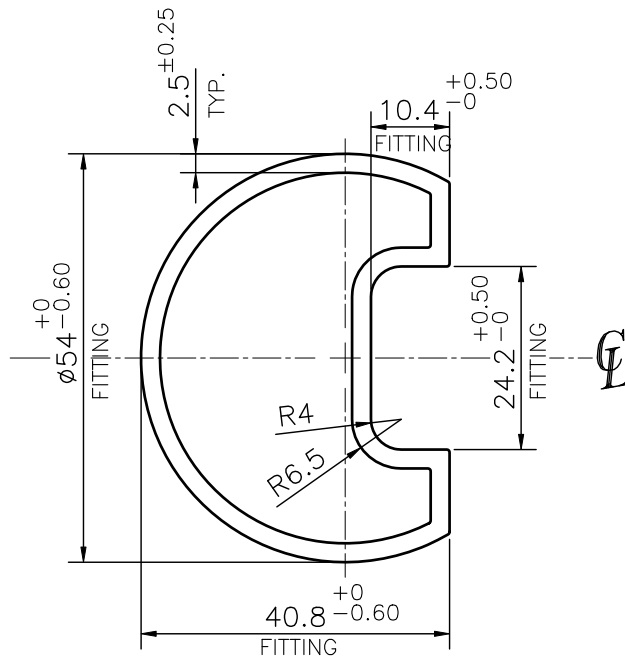


P-JAL-B-963

G103629

G103626

*MATCHING  
SCALE 1:1*



1. STRAIGHTNESS= 1.7mm/M
2. TWIST= 1.7mm/M
3. ANGULARITY=  $\pm 2^\circ$
4. FLATNESS= 0.007xWIDTH

Q02787

CONTROLLED COPY



SYMBOL OF QUALITY  
AN ISO 9001 COMPANY

**JINDAL ALUMINIUM LTD.**  
*BHIWADI-301019 (INDIA)*

	NAME	DATE
DRAWN	ASHUTOSH	14-02-2025
CHECKED	PARVESH	03-03-2025
APPROVED	J.N.RAI	03-03-2025

1. ALL DIMENSIONS ARE IN mm.
2. ROUND OFF ALL SHARP CORNERS WITH 0.40 mm.
3. TOLERANCES WILL BE AS PER BS:EN-755-9 , UNLESS OTHERWISE SPECIFIED

SCALE	1:1
AREA mm <sup>2</sup>	420.934
PERIMETER mm.	177.146
WEIGHT kg/m	1.137

PARTY'S NAME	SPORTS & SPORTS INTERNATIONAL, MEERUT	
PARTY'S DRAWING No.	AS PER PROPOSAL DRAWING	
ALLOY & TEMPER	6063 T6	PRODUCT CODE:-085
		HSN CODE:- 76042100
DESCRIPTION	INDUSTRIAL SECTION-INNER PROFILE	

DRAWING No.	SECTION No.
P-JAL-B-963	7000003861
G103629	G103629