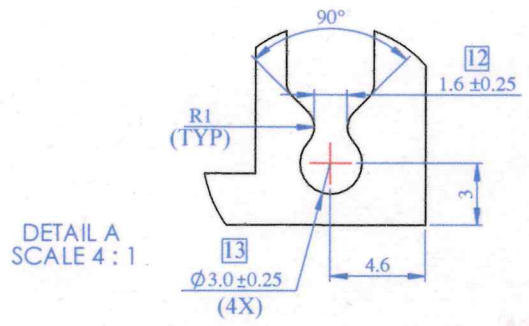


NOTE:-
F= Full Radius



DETAIL A
SCALE 4 : 1

LOCATION:-P1 - 1HOLE
ALL DIMENSION ARE IN mm.
UNSPECIFIED CORNER RADIUS:0.40

PLEASE SPECIFY THE EXPOSED SURFACE
TOL. AS PER BS EN 755-9:2008
UNLESS SPECIFIED

TWIST=±1/4°/300 M.M.M.
FLATNESS= WIDTH X 0.005mm.
STRAIGHTNESS= 1.50 M.M./MTR.
ANGULARITY=±1.5°

INDO ALUSYS INDUSTRIES LIMITED BHIWADI RAJASTHAN - 301019										
PARTY SAMPLE & DRG.		DRG.	PARTY NAME			M/S AHUJA RADIOS		REF:-- AS PER EMAIL ON Dt.-14.05.16		
				DRAWN	DHARMVIR	14.05.16	AREA	591.65	MM ²	
				CHECKED			WEIGHT	1.597	KG/M.	
	(B)	DIM.10.00 WASS 8.00mm.		APPROVED		23/7/16	WT. RANGE	----- Kg/12		
	(A)	DIM.28.00 WASS 26.00mm		SCALE	1:1.2:1&4:1	DATE	ALLOY	6063-T6		
00	(REF.)	AS PER EMAIL ON Dt.-28.05.16		CRITICAL DIM.	*		MAL NO	15500		
REV. STATUS	REV. NO.	DESCRIPTION	SIGN DATE	PERIMETER	INT.		SEC.NO.	G-856		
A3		REVISION			EXT.	540.80				