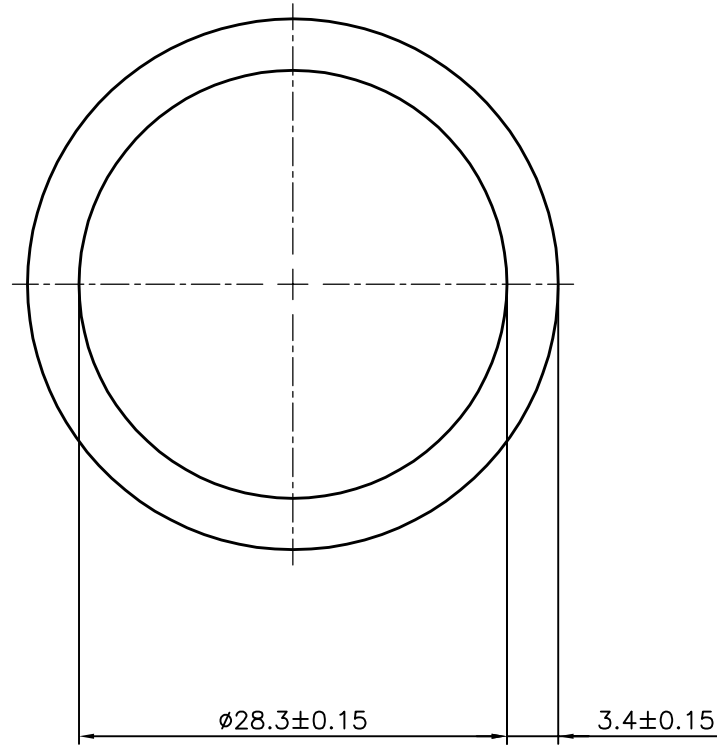
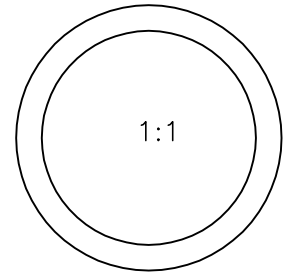


P-14109

S4303



SYMBOL OF QUALITY
AN ISO 9001 COMPANY

JINDAL ALUMINIUM LTD.
BANGALORE-560073 (INDIA)

	NAME	DATE
DRAWN	J.P.KAUSHIK	18-11-2014
CHECKED		
APPROVED	S.S.GARG	19-11-2014
SCALE		2:1
AREA mm ²		338.601
PERIMETER mm.		110.27
WEIGHT kg/m		0.914
DRAWING No.	SECTION No.	
P-14109	-	
S4303	S4303	

1. ALL DIMENSIONS ARE IN mm.
2. ROUND OFF ALL SHARP CORNERS WITH 0.40 mm.
3. TOLERANCES WILL BE AS PER IS:2673-2002, UNLESS OTHERWISE SPECIFIED

PARTY'S NAME	VISOKA ENGINEERING PVT.LTD.,SRIPERUMBUDUR
PARTY'S DRAWING No.	AS PER SPECIFICATION
ALLOY & TEMPER	1060F
DESCRIPTION	ROUND TUBE