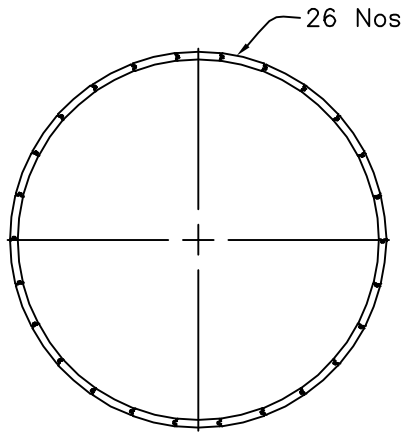
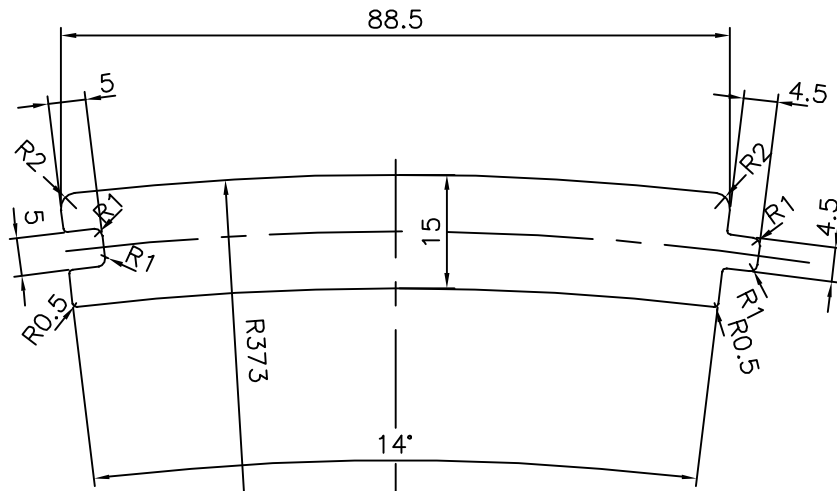


P-13413

S4346



SYMBOL OF QUALITY
AN ISO 9001 COMPANY

JINDAL ALUMINIUM LTD.
BANGALORE-560073 (INDIA)

	NAME	DATE
DRAWN	J.P.KAUSHIK	07-01-2015
CHECKED		
APPROVED	S.S.GARG	14-01-2015
SCALE		1:1
AREA mm ²		1303.499
PERIMETER mm.		218.941
WEIGHT kg/m		3.519
DRAWING No.	SECTION No.	
P-13413	-	
S4346	S4346	

1. ALL DIMENSIONS ARE IN mm.
2. ROUND OFF ALL SHARP CORNERS WITH 0.50 mm.
3. TOLERANCES WILL BE AS PER IS:3965-1981 , UNLESS OTHERWISE SPECIFIED

PARTY'S NAME	BAJAJ TAMBULA PINNED PRODUCTS PVT. LTD, KOLKATA
PARTY'S DRAWING No.	BT/LR/019/14-15 REV. No.01
ALLOY & TEMPER	6082 T6
DESCRIPTION	INTERLOCK SECTION