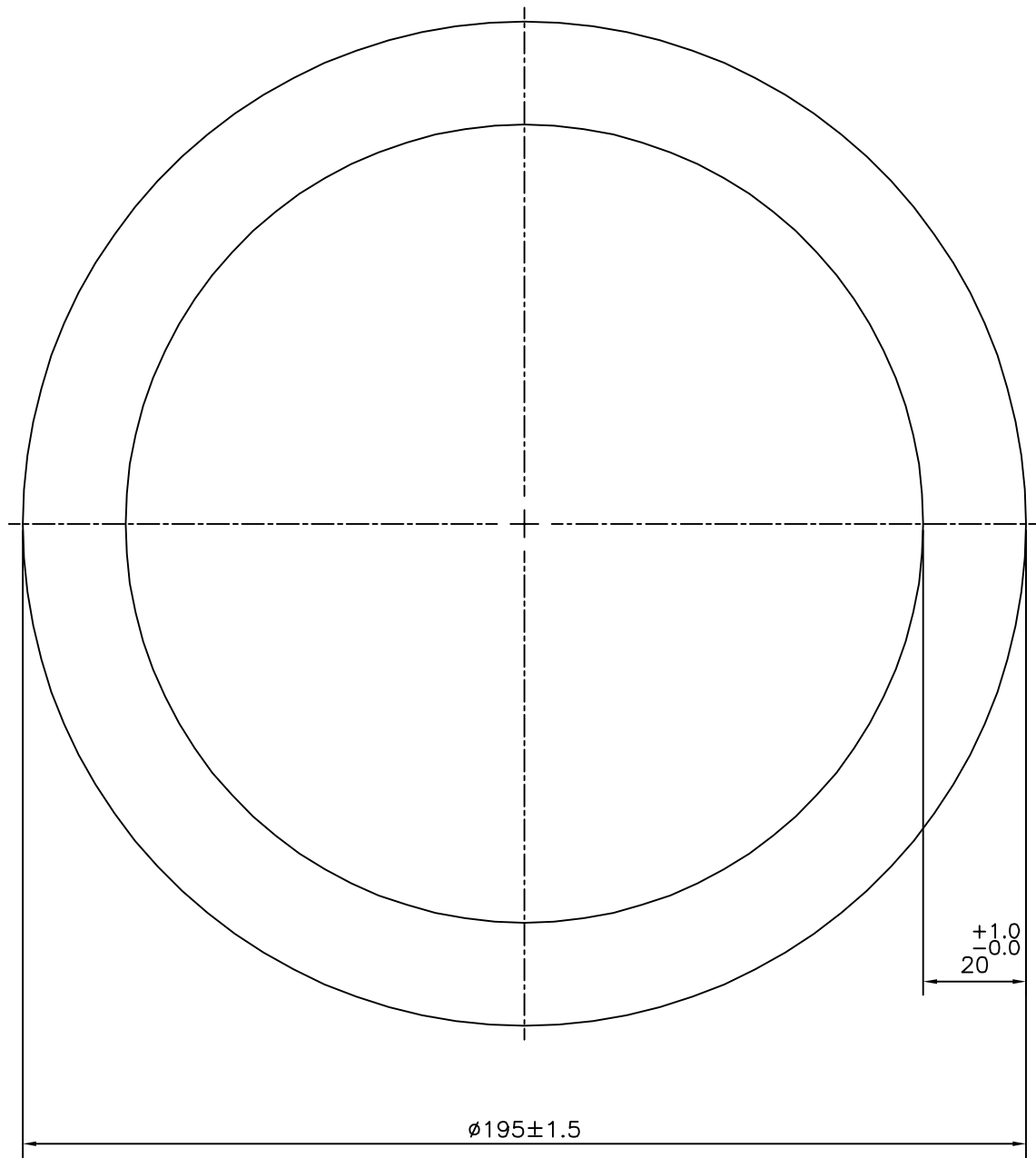


P-14282-1

S4348



OVALITY: ± 1.5 mm



SYMBOL OF QUALITY
AN ISO 9001 COMPANY

JINDAL ALUMINIUM LTD.
BANGALORE-560073 (INDIA)

	NAME	DATE
DRAWN	J.P.KAUSHIK	14-01-2015
CHECKED		
APPROVED	S.S.GARG	17-01-2015
SCALE		0.75:1
AREA mm ²		10995.574
PERIMETER mm.		612.611
WEIGHT kg/m		29.688
DRAWING No.	SECTION No.	
P-14282-1	-	
S4348	S4348	

1. ALL DIMENSIONS ARE IN mm.
2. ROUND OFF ALL SHARP CORNERS WITH 0.40 mm.
3. TOLERANCES WILL BE AS PER IS:2673-2002, UNLESS OTHERWISE SPECIFIED

PARTY'S NAME	ECHAAR EQUIPMENTS PVT. LTD., THANE
PARTY'S DRAWING No.	AS PER SPECIFICATION
ALLOY & TEMPER	19500 'O'
DESCRIPTION	ROUND TUBE