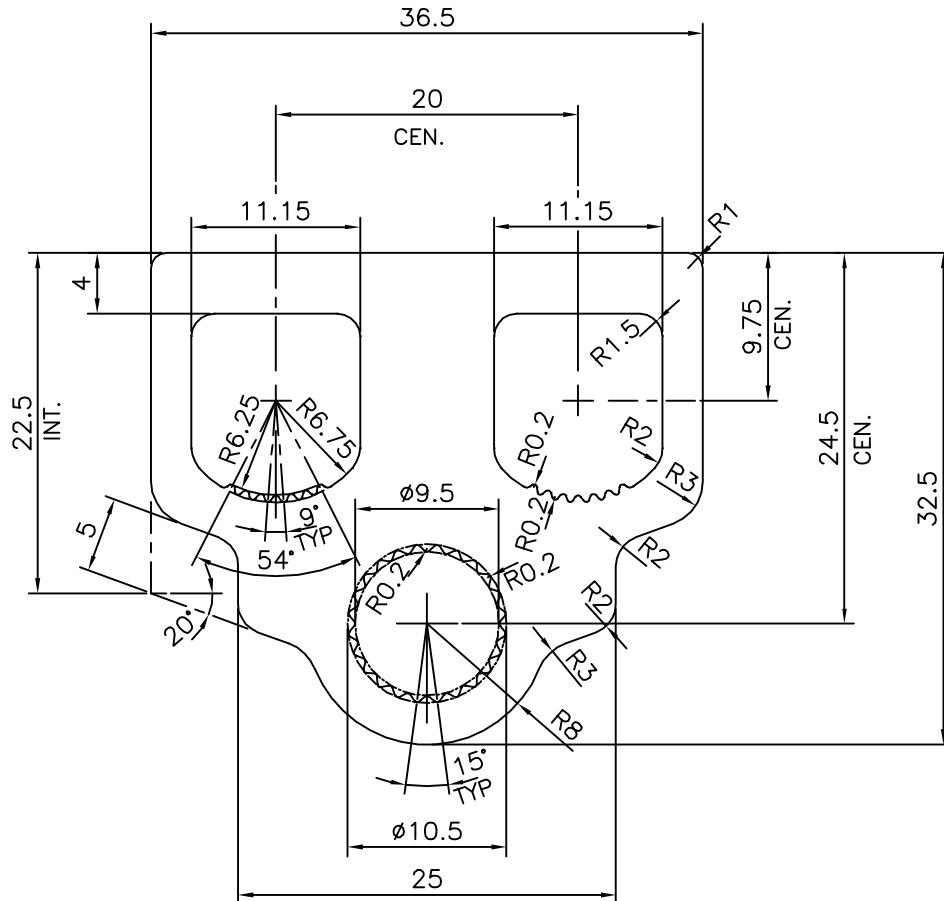
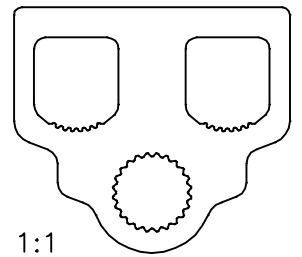


P-14042

S4362



SYMBOL OF QUALITY  
AN ISO 9001 COMPANY

**JINDAL ALUMINIUM LTD.**  
BANGALORE-560073 (INDIA)

	NAME	DATE
DRAWN	J.P.KAUSHIK	14-10-2014
CHECKED		
APPROVED	S.S.GARG	22-01-2015

1. ALL DIMENSIONS ARE IN mm.
2. ROUND OFF ALL SHARP CORNERS WITH 0.40 mm.
3. TOLERANCES WILL BE AS PER IS:6477-1983, UNLESS OTHERWISE SPECIFIED

SCALE	2:1
AREA mm <sup>2</sup>	597.766
PERIMETER mm.	121.472
WEIGHT kg/m	1.614

PARTY'S NAME	SICAME INDIA CONNECTORS PVT. LTD., KANCHHEPURAM
PARTY'S DRAWING No.	F10087210 A
ALLOY & TEMPER	6063 T6
DESCRIPTION	SATELLITE CONNECTOR STRIPPING PROFILE

DRAWING No.	SECTION No.
P-14042	-
S4362	S4362