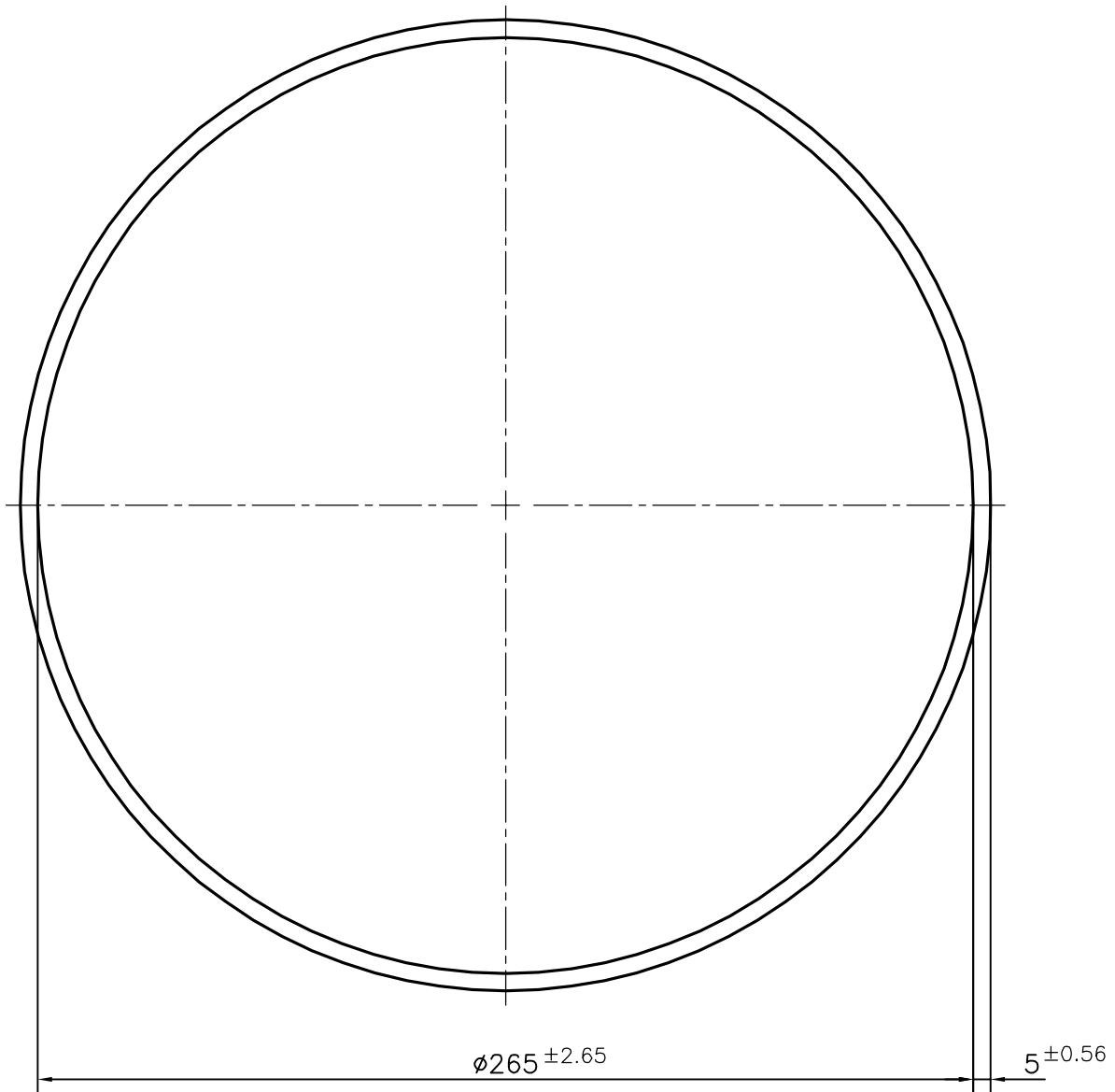


P-14421

S4403



SYMBOL OF QUALITY  
AN ISO 9001 COMPANY

**JINDAL ALUMINIUM LTD.**  
BANGALORE-560073 (INDIA)

	NAME	DATE
DRAWN	PARVESH	11-02-2015
CHECKED		
APPROVED	S.S.GARG	28-02-2015
SCALE		0.5:1
AREA mm <sup>2</sup>		4241.15
PERIMETER mm.		863.938
WEIGHT kg/m		11.451
DRAWING No.	SECTION No.	
P-14421	-	
S4403	S4403	

1. ALL DIMENSIONS ARE IN mm.
2. ROUND OFF ALL SHARP CORNERS WITH 0.40 mm.
3. TOLERANCES WILL BE AS PER IS:2673-2002 , UNLESS OTHERWISE SPECIFIED

PARTY'S NAME KADEVI INDUSTRIES LTD., HYDERABAD

PARTY'S DRAWING No. AS PER SPECIFICATION

ALLOY & TEMPER 6351 T6

DESCRIPTION ROUND TUBE