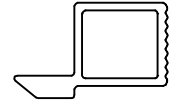
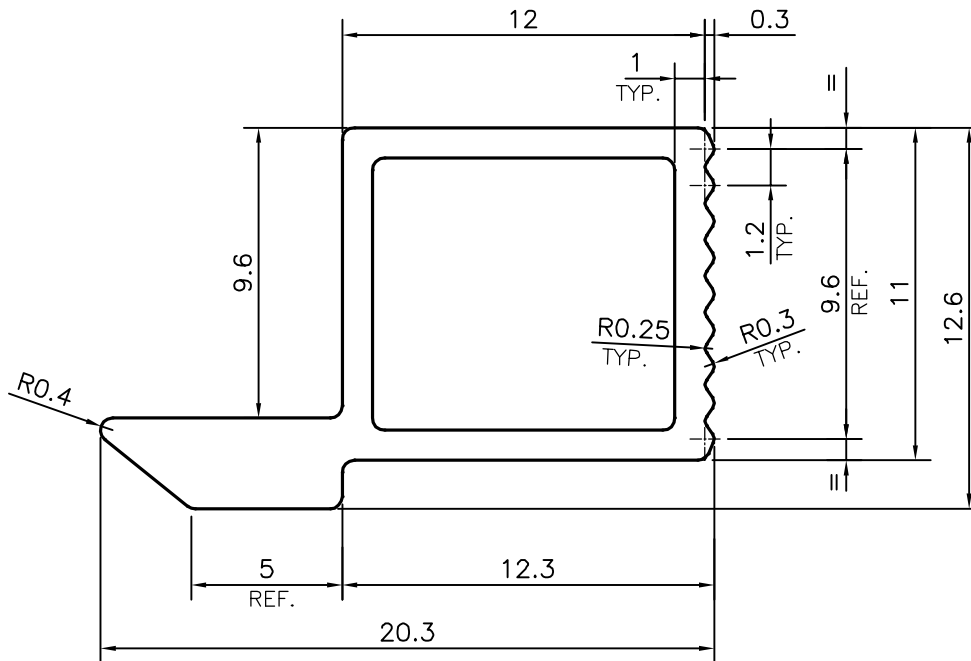


P-14445

S4405



SCALE: - 1:1



## TOLERANCES ON OVERALL WIDTHS &amp; WIDTHS ACROSS FLATS OF BARS, &amp; REGULAR SECTIONS

|                     |                      |                      |   |
|---------------------|----------------------|----------------------|---|
| UPTO 6.40mm - ±0.20 | UPTO 32.0mm - ±0.38  | UPTO 120.0mm - ±0.85 | 1. STRAIGHTNESS=1.7mm/M<br>2. TWIST=1.7mm/M<br>3. ANGULARITY= ±2°<br>4. FLATNESS =0.007xWIDTH |
| UPTO 10.0mm - ±0.23 | UPTO 50.0mm - ±0.46  | UPTO 160.0mm - ±1.02 |   |
| UPTO 12.0mm - ±0.25 | UPTO 60.0mm - ±0.53  | UPTO 200.0mm - ±1.14 |   |
| UPTO 16.0mm - ±0.28 | UPTO 80.0mm - ±0.69  | UPTO 250.0mm - ±1.40 |   |
| UPTO 25.0mm - ±0.30 | UPTO 100.0mm - ±0.75 | UPTO 300.0mm - ±1.65 |   |



SYMBOL OF QUALITY  
AN ISO 9001 COMPANY

**JINDAL ALUMINIUM LTD.**  
BANGALORE-560073 (INDIA)

|          | NAME     | DATE       |
|----------|----------|------------|
| DRAWN    | PARVESH  | 19-02-2015 |
| CHECKED  |          |            |
| APPROVED | S.S.GARG | 28-02-2015 |

- ALL DIMENSIONS ARE IN mm.
- ROUND OFF ALL SHARP CORNERS WITH 0.40 mm.
- TOLERANCES WILL BE AS PER IS:6477-1983 , UNLESS OTHERWISE SPECIFIED

|                      |        |
|----------------------|--------|
| SCALE                | 4:1    |
| AREA mm <sup>2</sup> | 64.165 |
| PERIMETER mm.        | 64.11  |
| WEIGHT kg/m          | 0.173  |

|                     |                                 |             |         |             |       |
|---------------------|---------------------------------|-------------|---------|-------------|-------|
| PARTY'S NAME        | ANAPADM HEATREAT PVT LTD., PUNE | DRAWING No. | P-14445 | SECTION No. | -     |
| PARTY'S DRAWING No. | AS PER DRAWING                  |             | S4405   |             | S4405 |
| ALLOY & TEMPER      | HE9 WP                          |             |         |             |       |
| DESCRIPTION         | ELECTRICAL SECTION              |             |         |             |       |