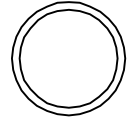
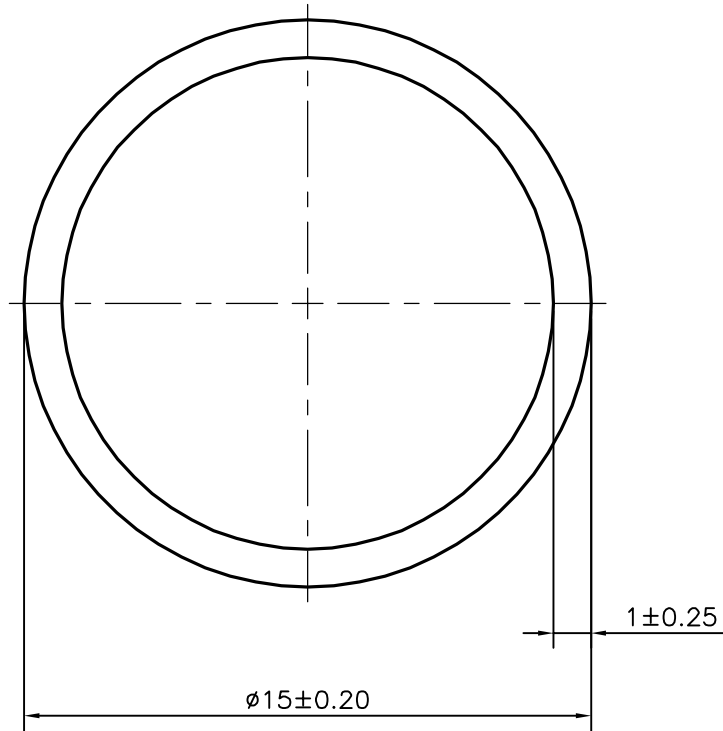


P-14318-1

S4412



SCALE: - 1:1



SYMBOL OF QUALITY  
AN ISO 9001 COMPANY

**JINDAL ALUMINIUM LTD.**  
BANGALORE-560073 (INDIA)

	NAME	DATE
DRAWN	PARVESH	17-01-2015
CHECKED		
APPROVED	B.NATARAJA	13-03-2015
SCALE		5:1
AREA mm <sup>2</sup>		43.982
PERIMETER mm.		47.124
WEIGHT kg/m		0.119
DRAWING No.		SECTION No.
P-14318-1		-
S4412		S4412

1. ALL DIMENSIONS ARE IN mm.
2. ROUND OFF ALL SHARP CORNERS WITH 0.40 mm.
3. TOLERANCES WILL BE AS PER IS:2673-2002 , UNLESS OTHERWISE SPECIFIED

PARTY'S NAME	GSK AUTOMATION PVT. LTD., BANGALORE
PARTY'S DRAWING No.	AS PER SPECIFICATION
ALLOY & TEMPER	6063 T6
DESCRIPTION	ROUND TUBE