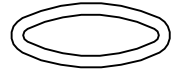
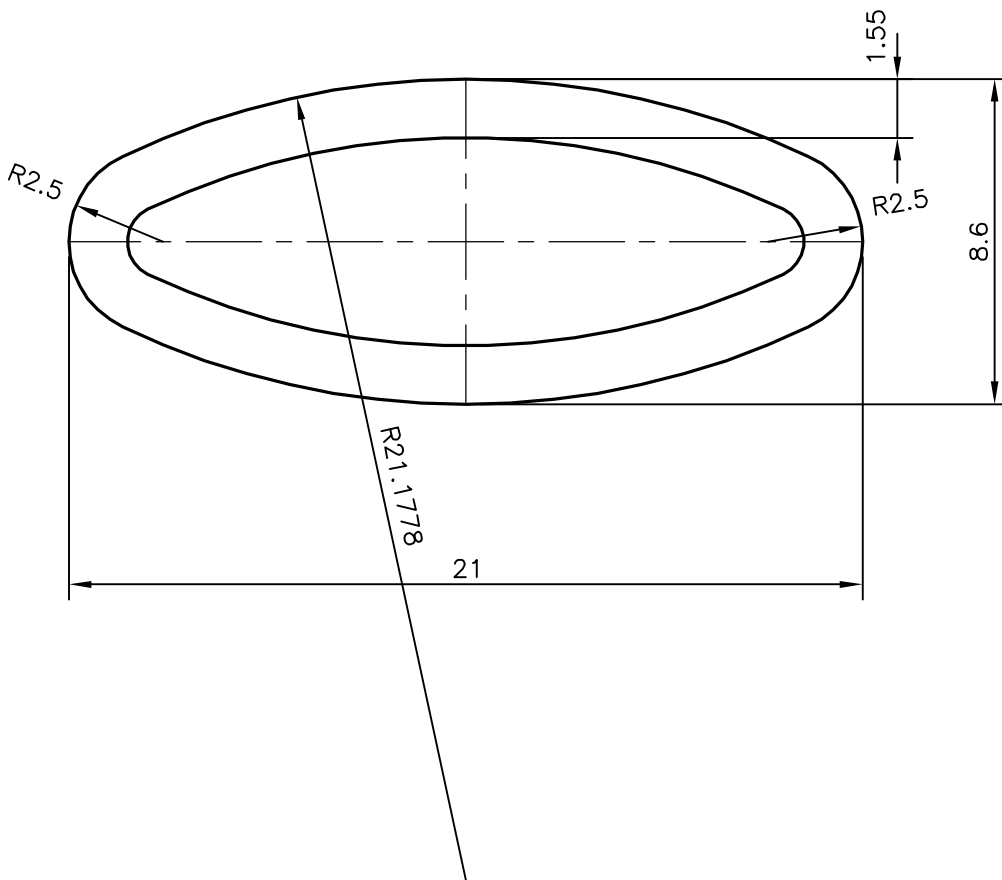


P-14577

S4446



1:1



SYMBOL OF QUALITY
AN ISO 9001 COMPANY

JINDAL ALUMINIUM LTD.
BANGALORE-560073 (INDIA)

	NAME	DATE
DRAWN	J.P.KAUSHIK	23-04-2015
CHECKED		
APPROVED	S.S.GARG	25-04-2015
SCALE		5:1
AREA mm ²		68.057
PERIMETER mm.		48.777
WEIGHT kg/m		0.184
DRAWING No.	SECTION No.	
P-14577	-	
S4446	S4446	

1. ALL DIMENSIONS ARE IN mm.
2. ROUND OFF ALL SHARP CORNERS WITH 0.40 mm.
3. TOLERANCES WILL BE AS PER IS:6477-1983 UNLESS OTHERWISE SPECIFIED

PARTY'S NAME	TTK HEALTH CARE LTD., BANGALORE
PARTY'S DRAWING No.	AS PER SAMPLE
ALLOY & TEMPER	6060 T6
DESCRIPTION	OVAL TUBE