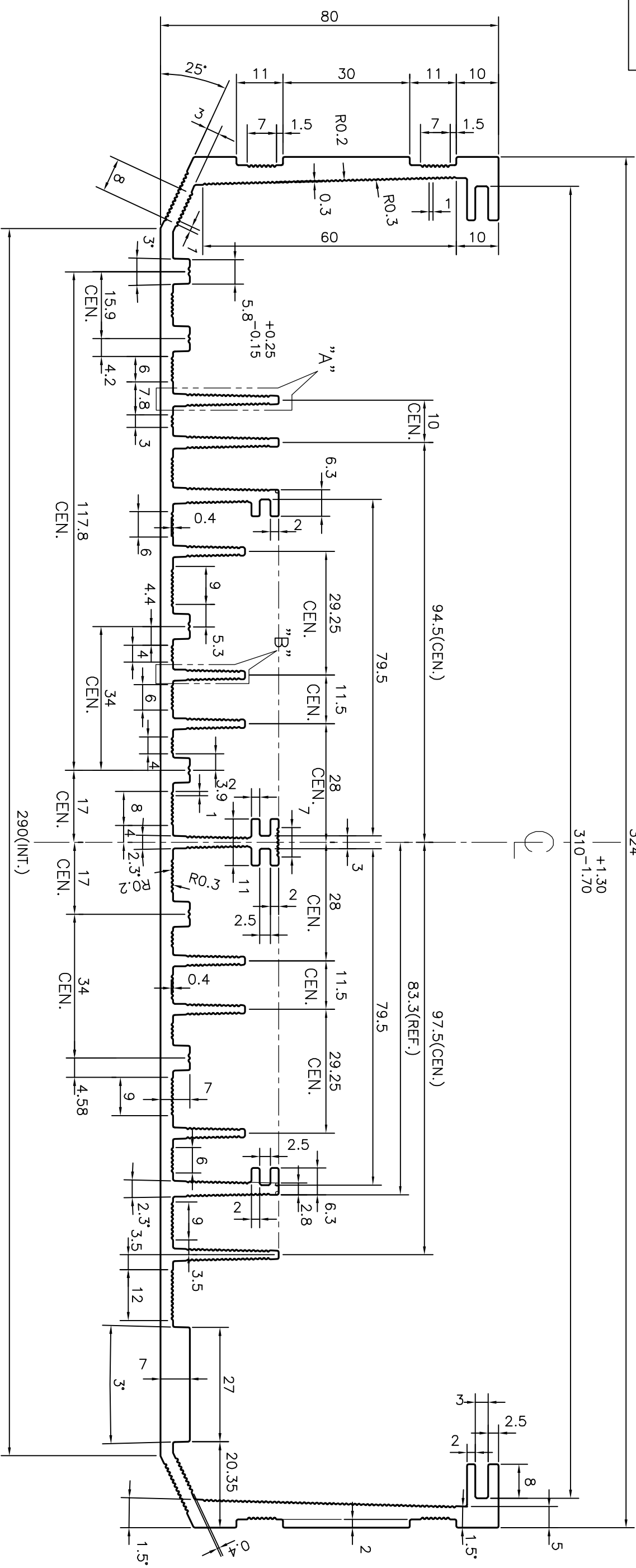


P-14640

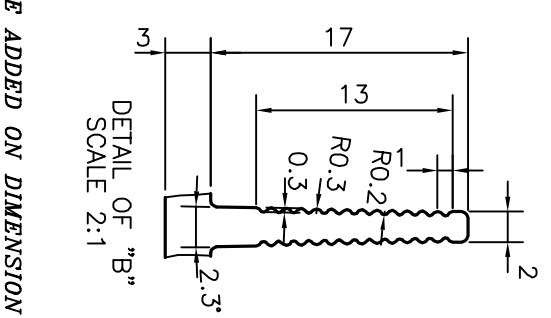
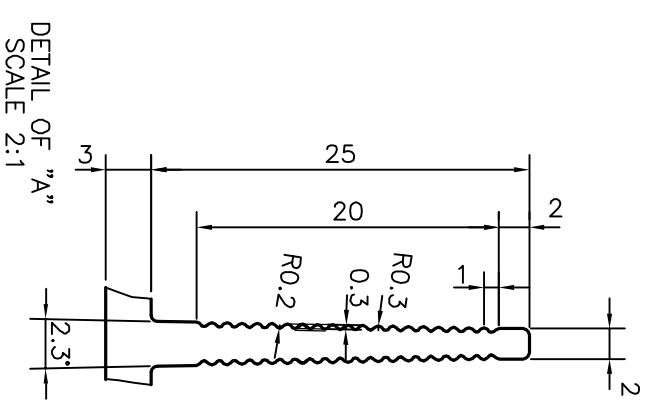
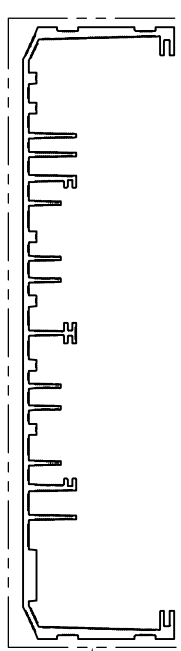
S4466

+1.30
324^{+1.30}_{-1.70}

+1.30
310^{+1.30}_{-1.70}




- 1 FLATNESS ON 290 mm WIDTH WILL BE ± 1.0 mm
- 2 LOCAL VARIATION IN FLATNESS MAY BE UP TO 1 mm OVER 100 mm WIDTH.



+1.30 +1.30 +0.25
-1.70 -1.70 -0.15

TOLERANCE ADDED ON DIMENSION 324,
TOLERANCE CHANGED ON FLATNESS ON 290±1.8 TO ±1.0
AS PER E-MAIL DATED 29-06-2015

 JINDAL ALUMINIUM LTD. BANGALORE-560073 (INDIA)		NAME	DATE	
		DRAWN	J.P. KAUSHIK	13-05-2015
SYMBOL OF QUALITY AN ISO 9002 COMPANY		CHECKED		
		APPROVED	S.S.GARG	18-05-2015
1. ALL DIMENSIONS ARE IN mm. 2. ROUND OFF ALL SHARP CORNERS WITH 0.40 mm. 3. TOLERANCES WILL BE AS PER IS:3965-1981 UNLESS OTHERWISE SPECIFIED		SCALE	1:1	
		AREA	mm ²	2664.799
		PERIMETER	mm.	1796.943
		WEIGHT	kg/m	7.195
PARTY'S NAME	NTL ELECTRONICS INDIA LTD., NOIDA	DRAWING No.	SECTION No.	
PARTY'S DRAWING No.	AS PER AutoCAD DRAWING-NL-DRG-QAD-L124 (A-1)	P-14640	-	
ALLOY & TEMPER	6063 T6	S4466	S4466	
DESCRIPTION	HEAT SINK SECTION			