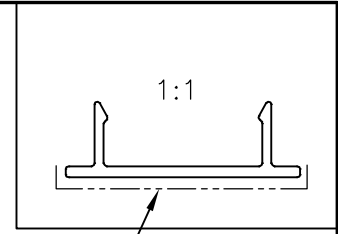
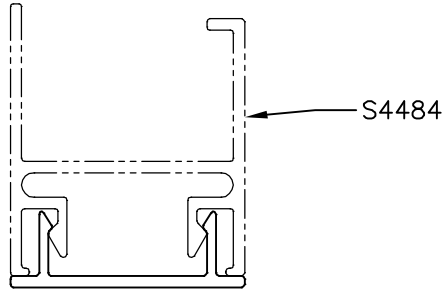
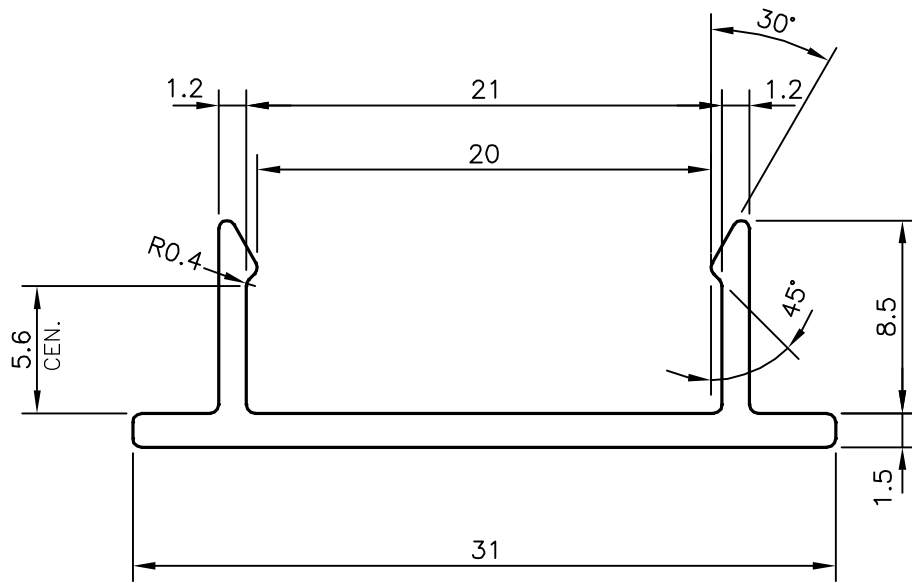


P-14613

S4485



EXPOSED SURFACE



SYMBOL OF QUALITY  
AN ISO 9001 COMPANY

**JINDAL ALUMINIUM LTD.**  
BANGALORE-560073 (INDIA)

	NAME	DATE
DRAWN	J.P.KAUSHIK	05-05-2015
CHECKED		
APPROVED	S.S.GARG	11-06-2015
SCALE		3:1
AREA	mm <sup>2</sup>	67.092
PERIMETER	mm.	96.918
WEIGHT	kg/m	0.181
DRAWING No.	SECTION No.	
P-14613	-	
S4485	S4485	

1. ALL DIMENSIONS ARE IN mm.
2. ROUND OFF ALL SHARP CORNERS WITH 0.40 mm.
3. TOLERANCES WILL BE AS PER IS:3965-1981, UNLESS OTHERWISE SPECIFIED

PARTY'S NAME	ALUFIT (INDIA) PVT. LTD., BANGALORE
PARTY'S DRAWING No.	AS PER AutoCAD DRAWING
ALLOY & TEMPER	6063 T6
DESCRIPTION	CLIP SECTION