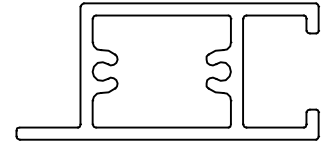
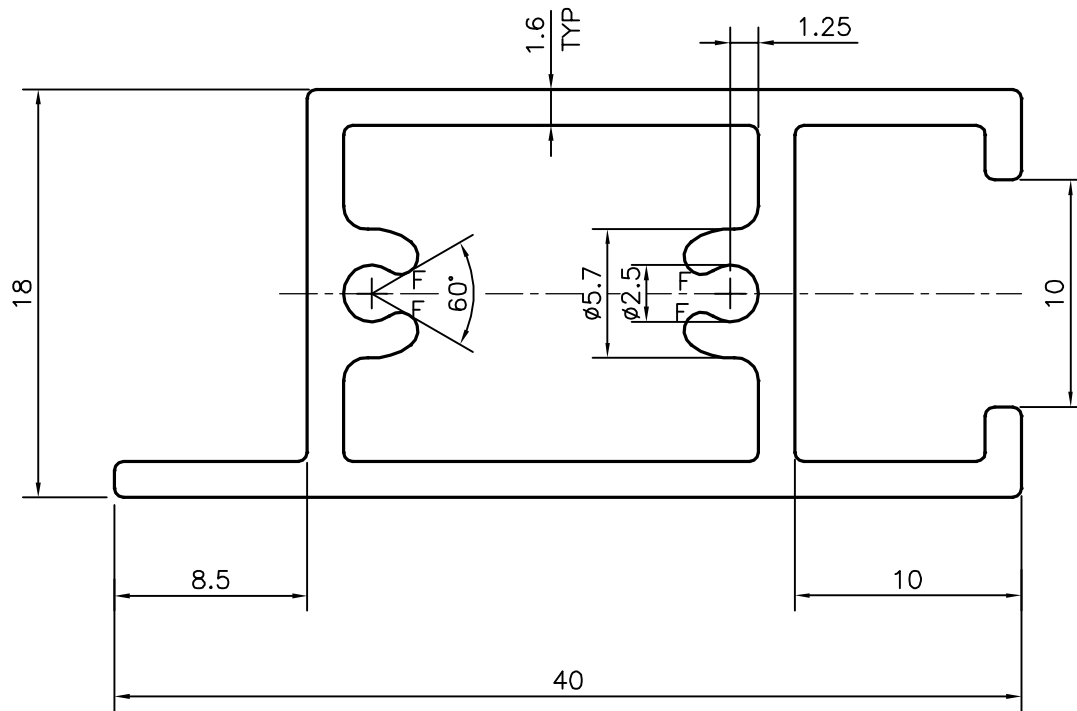


P-14864

S4535



SCALE 1:1



F = FULL RADIUS (4 PLACES)



SYMBOL OF QUALITY  
AN ISO 9001 COMPANY

**JINDAL ALUMINIUM LTD.**  
BANGALORE-560073 (INDIA)

|                      | NAME        | DATE       |
|----------------------|-------------|------------|
| DRAWN                | J.P.KAUSHIK | 10-07-2015 |
| CHECKED              |             |            |
| APPROVED             | S.S.GARG    | 15-07-2015 |
| SCALE                |             | 3:1        |
| AREA mm <sup>2</sup> |             | 192.104    |
| PERIMETER mm.        |             | 143.196    |
| WEIGHT kg/m          |             | 0.519      |
| DRAWING No.          | SECTION No. |            |
| P-14864              | -           |            |
| S4535                | S4535       |            |
|                      |             |            |
|                      |             |            |

|   |  |
|---|--|
| 1. ALL DIMENSIONS ARE IN mm.<br>2. ROUND OFF ALL SHARP CORNERS WITH 0.40 mm.<br>3. TOLERANCES WILL BE AS PER IS:6477-1983, UNLESS OTHERWISE SPECIFIED |  |
| PARTY'S NAME  | GIRDHARI LAL CONSTRUCTIONS PVT. LTD., BATHINDA |
| PARTY'S DRAWING No.   | AS PER SKETCH                                  |
| ALLOY & TEMPER  | HE9 WP   |
| DESCRIPTION   | WINDOW SECTION                                 |