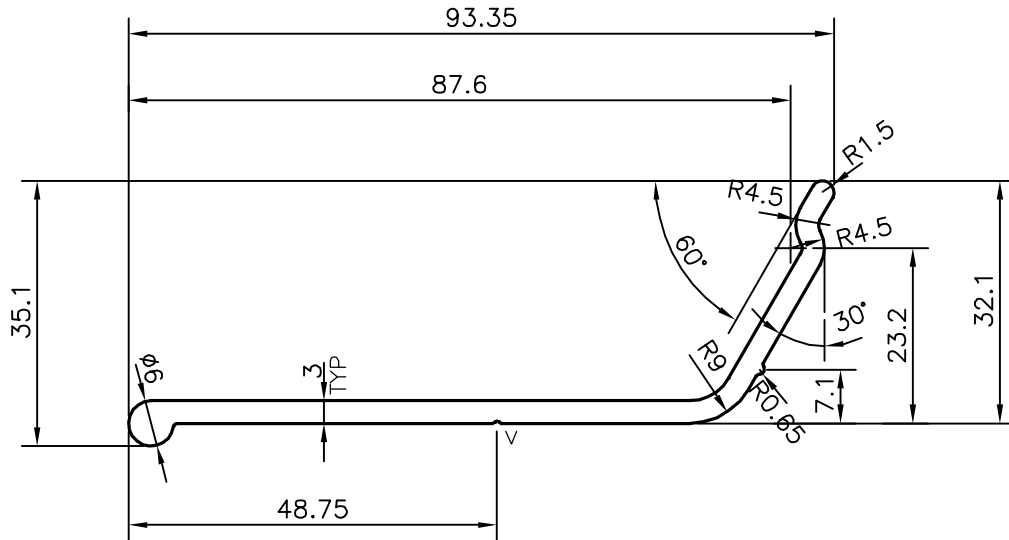


P-14889

S4550



V = V GROOVE 0.3x90°



SYMBOL OF QUALITY
AN ISO 9001 COMPANY

JINDAL ALUMINIUM LTD.
BANGALORE-560073 (INDIA)

	NAME	DATE
DRAWN	J.P.KAUSHIK	16-07-2015
CHECKED		
APPROVED	S.S.GARG	25-07-2015

1. ALL DIMENSIONS ARE IN mm.
2. ROUND OFF ALL SHARP CORNERS WITH 0.40 mm.
3. TOLERANCES WILL BE AS PER IS:3965-1981 , UNLESS OTHERWISE SPECIFIED

SCALE	1:1
AREA mm ²	348.357
PERIMETER mm.	231.797
WEIGHT kg/m	0.941

PARTY'S NAME	ENERCON ASIA PACIFIC SYSTEMS. PVT. LTD., HOSUR
PARTY'S DRAWING No.	AL7146-02
ALLOY & TEMPER	6063 T6
DESCRIPTION	MISC. SECTION

DRAWING No.	SECTION No.
P-14889	-
S4550	S4550