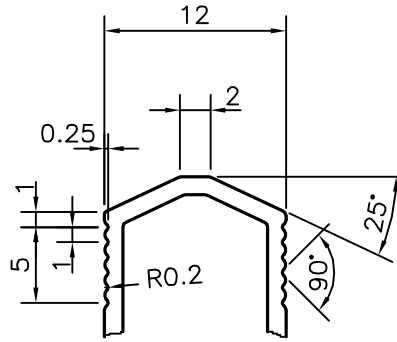
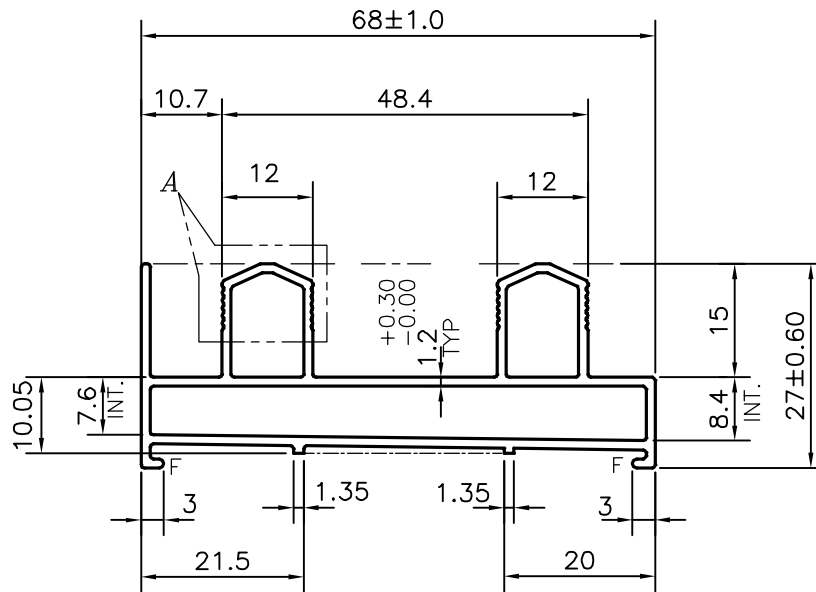


P-14894

S4574



DETAIL OF "A"
SCALE 2:1



F = FULL RADIUS(2 PLACES)



SYMBOL OF QUALITY
AN ISO 9001 COMPANY

JINDAL ALUMINIUM LTD.
BANGALORE-560073 (INDIA)

	NAME	DATE
DRAWN	J.P.KAUSHIK	20-07-2015
CHECKED		
APPROVED	S.S.GARG	18-08-2015
SCALE		1:1
AREA mm ²		294.624
PERIMETER mm.		255.93
WEIGHT kg/m		0.795
DRAWING No.	SECTION No.	
P-14894	-	
S4574	S4574	

1. ALL DIMENSIONS ARE IN mm.
2. ROUND OFF ALL SHARP CORNERS WITH 0.40 mm.
3. TOLERANCES WILL BE AS PER IS:6477-1983 , UNLESS OTHERWISE SPECIFIED

PARTY'S NAME	PARAMOUNT INDUSTRIES, BANGALORE
PARTY'S DRAWING No.	P-AL1724-17LWA
ALLOY & TEMPER	HE9 WP
DESCRIPTION	WINDOW SECTION