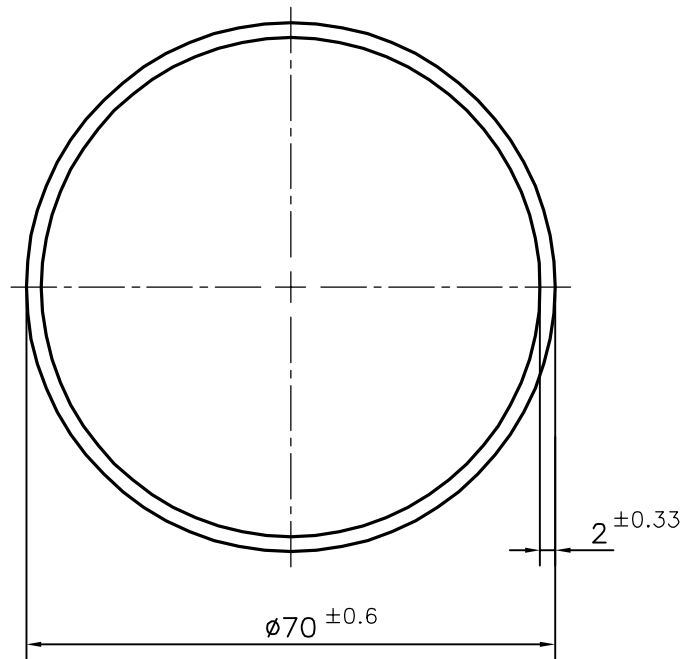




P-15153

S4677



 *OVALITY = ±1.3 mm.*

 SYMBOL OF QUALITY AN ISO 9001 COMPANY	JINDAL ALUMINIUM LTD. BANGALORE-560073 (INDIA)	NAME		DATE
		DRAWN	<i>PARVESH</i>	09-09-2015
1. ALL DIMENSIONS ARE IN mm. 2. ROUND OFF ALL SHARP CORNERS WITH 0.40 mm. 3. TOLERANCES WILL BE AS PER IS:2673-2002 , UNLESS OTHERWISE SPECIFIED		CHECKED		
		APPROVED	S.S.GARG	21-09-2015
PARTY'S NAME TECHNOCRATS SECURITY SYSTEMS PVT LTD, MUMBAI		SCALE		1:1
		AREA mm ²		427.257
PARTY'S DRAWING No. AS PER SPECIFICATION		PERIMETER mm.		219.911
		WEIGHT kg/m		1.154
ALLOY & TEMPER HE9 WP		DRAWING No.	SECTION No.	
		P-15153	-	
DESCRIPTION ROUND TUBE		S4677	S4677	