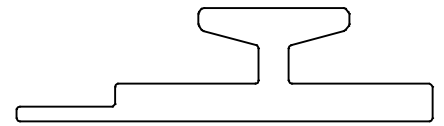
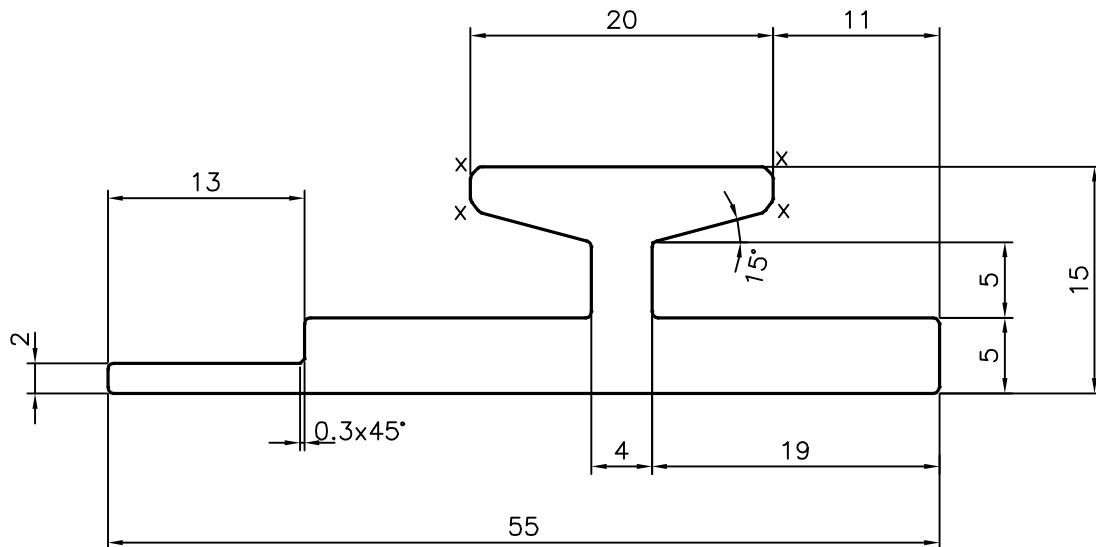


P-14783

S4744



1:1



x = CHAMFER 0.60x45° (4 PLACES)



SYMBOL OF QUALITY
AN ISO 9001 COMPANY

JINDAL ALUMINIUM LTD.
BANGALORE-560073 (INDIA)

	NAME	DATE
DRAWN	J.P.KAUSHIK	18-06-2015
CHECKED		
APPROVED	S.S.GARG	21-11-2015

1. ALL DIMENSIONS ARE IN mm.
2. ROUND OFF ALL SHARP CORNERS WITH 0.40 mm.
3. TOLERANCES WILL BE AS PER IS:3965-1981 UNLESS OTHERWISE SPECIFIED

SCALE	2:1
AREA mm ²	338.1
PERIMETER mm.	165.412
WEIGHT kg/m	0.913

PARTY'S NAME	FUNDERMAX INDIA PVT. LTD., BANGALORE
--------------	--------------------------------------

DRAWING No.	SECTION No.
-------------	-------------

PARTY'S DRAWING No.	AS PER DRAWING
---------------------	----------------

P-14783

ALLOY & TEMPER	6063 T6
----------------	---------

S4744

S4744

DESCRIPTION	CENTER CLIP SECTION
-------------	---------------------